

MIMY



PRODUCT MODEL
NYLON DRAG CHAIN SERIES

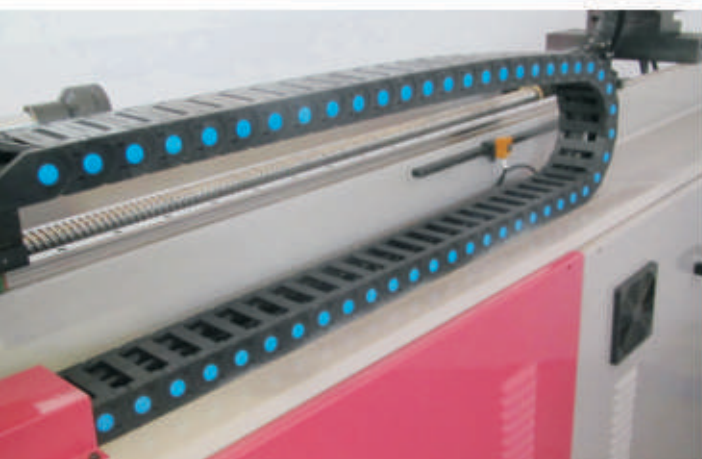
产品选型 | 尼龙拖链系列

诚信为本 质量立足
Integrity based on the
quality of foothold



SUPER SONIC HOUSE, Plot No. C-10/5-6, Soma Kanji Estate-2, (SK-2),
Near Sosyo Circle, Opp. Sanidev Temple, Udhna Magdalla Road,
Surat (Gujarat) India - 395007 | www.supersonicgroup.in
For Enquiry Contact : +91 261 2634263, 95129 51510
e-mail : supersonichouse07@hotmail.com

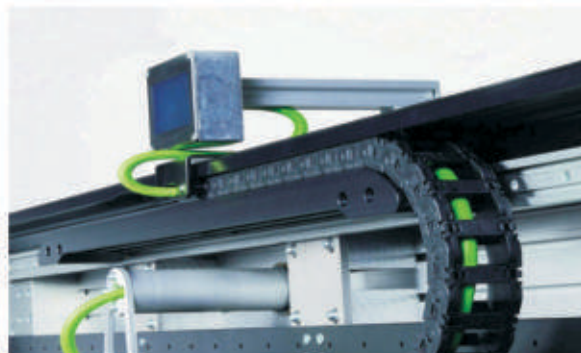
MIMY



广泛应用于工业自动化领域
Application field

ENERGYCHAIN SYSTEMS





CONTENTS

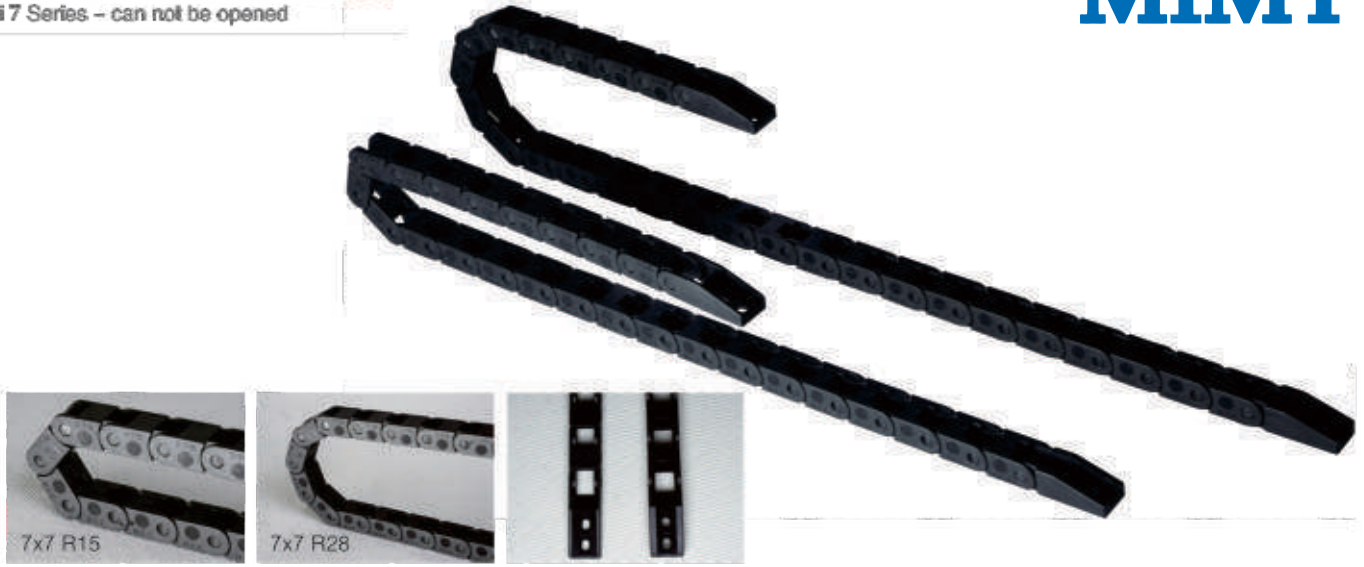
产品目录

P.01	微型7系列-桥式不可打开	P.09	H20系列-桥式两侧可打开	P.17	H45系列-桥式两侧可打开
P.02	微型10系列-便捷式、桥式	P.10	H20系列-封闭式两侧可打开	P.18	H45系列-封闭式两侧可打开
P.03	10系列-不可打开	P.11	H25系列-桥式两侧可打开	P.19	H55系列-桥式两侧可打开
P.04	15系列-半封闭内侧打开	P.12	H25系列-封闭式两侧可打开	P.20	H55系列-封闭式两侧可打开
P.05	18系列-半封闭内侧打开	P.13	H30系列-桥式两侧可打开	P.21	H65系列-桥式两侧可打开
P.06	S25静音系列-桥式两侧可打开	P.14	H30系列-封闭式两侧可打开	P.22	H65系列-封闭式两侧可打开
P.07	J25系列-桥式两侧可打开	P.15	H35系列-桥式两侧可打开		
P.08	J25系列-封闭式两侧可打开	P.16	H35系列-封闭式两侧可打开		

微型7系列-不可打开

Mini 7 Series - can not be opened

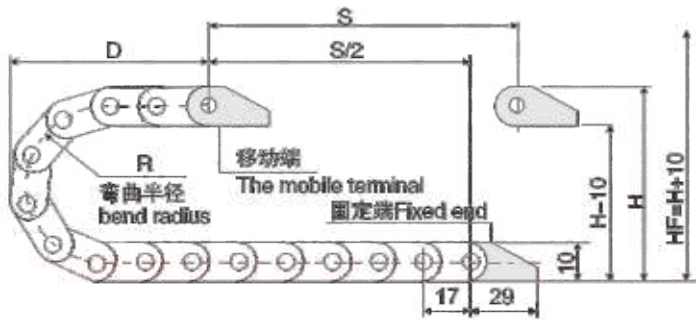
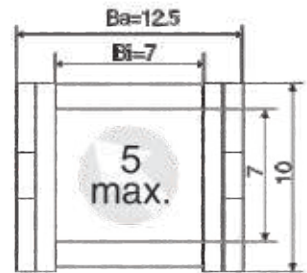
MIMY



主要技术参数 Basic technical data

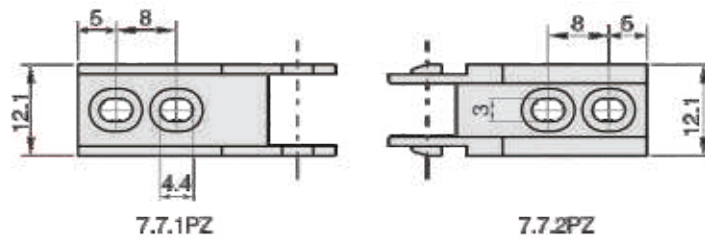
节距=17mm, 每米节数=59, 链长=S/2+K, S=行程距离, K=π.R+“安全量”
Pitch = 17 mm, number of sections per meter = 59, chain length = S / 2 + K,
S = travel distance, K = π . R + "safe amount"

示意图 Delineation



R	15	28
H	40	66
D	37	62
K	52	105

接头安装尺寸图 Connector installation dimensions



微型7系列-不可打开 Mini 7 Series - can not be opened

系列号 Serial No.	内高 Hi	内宽 Bi	外高 H	外宽 Ba	弯曲半径(R) Bending radius	打开方式 Open the way	对应接头孔距(mm) Corresponds to the hole pitch	接头订购型号 Connector ordering model
7	7	7	10	12.5	15 28	B	A=8	7.7.B.1PZ/2PZ

注：打开方式B为不可打开型。

接头型号：7...B.12PZ=U型斜角接头全套；7...B.1PZ=一端带孔；7...B.2PZ=一端带销。

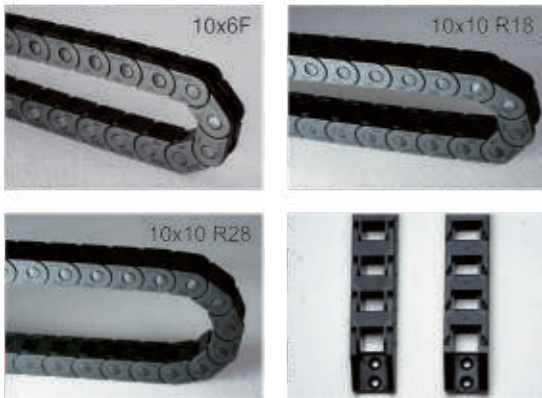
Note: Open mode B is not open type.

Connector type: 7 ... B.12PZ = Complete U-shaped bevel connector; 7 ... B.1PZ = One end with hole; 7 ... B.2PZ = One end with pin.

微型10系列-便捷式/桥式

Mini 10 Series - Convenient/Bridge

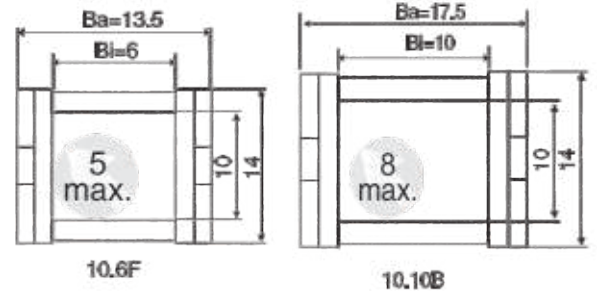
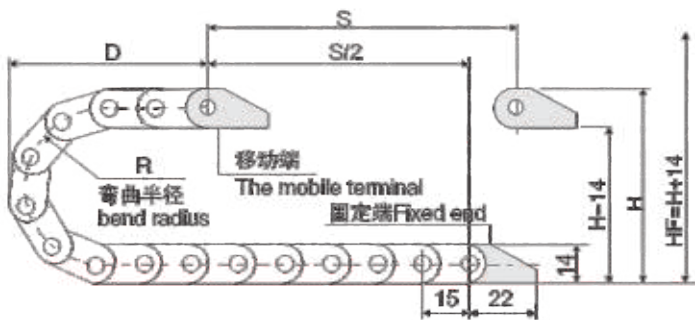
MIMY



主要技术参数 Basic technical data

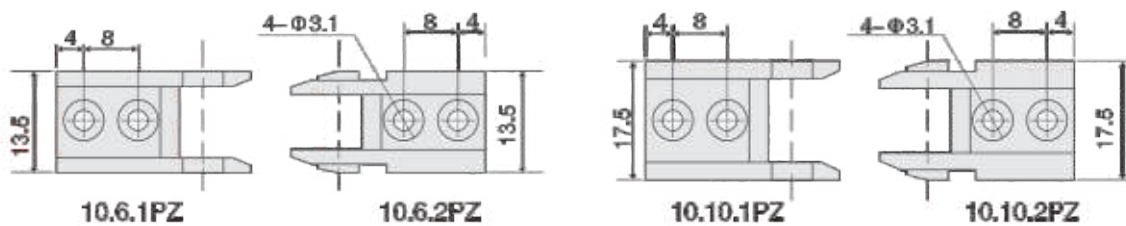
节距=15mm, 每米节数=66, 链长=S/2+K, S=行程距离, K=π.R+“安全量”
Pitch = 15 mm, number of sections per meter = 66, chain length = S / 2 + K,
S = travel distance, K = π .R + "safe amount"

示意图 Delineation



R	18	28
H	50	70
D	45	55
K	72	103

接头安装尺寸图 Connector installation dimensions



微型10系列-不可打开 Mini 10 Series - can not be opened

系列号 Serial No.	内高 Hi	内宽 Bi	外高 H	外宽 Ba	弯曲半径(R) Bending radius	打开方式 Open the way	对应接头孔距(mm) Corresponds to the hole pitch	接头订购型号 Connector ordering model
10型便捷式	10	6	14	13.5	18	F	A=8	10.6.F.1PZ/2PZ
10型桥式	10	10	14	17.5	18 28	B	A=8	10.10.B.1PZ/2PZ

注: 打开方式B为不可打开型, F为外侧便捷式。

接头型号: 10...B.12PZ=U型斜角接头全套; 10...B.1PZ=一端带孔; 10...B.2PZ=一端带销。

Note: Open mode B is not open type.

Connector type: 10 ... B.12PZ = Complete U-shaped bevel connector; 10 ... B.1PZ = One end with hole; 10 ... B.2PZ = One end with pin.

10系列-不可打开

Mini 10 Series – can not be opened

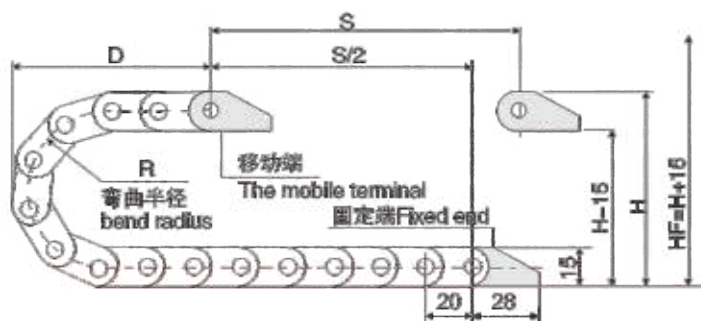
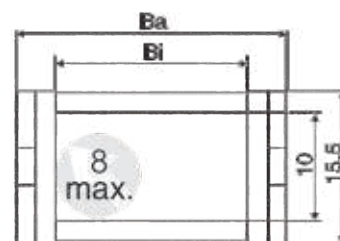
MIMY



主要技术参数 Basic technical data

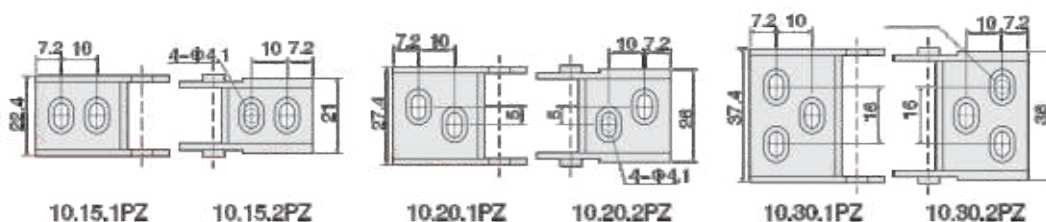
节距=20mm, 每米节数=50, 链长=S/2+K, S=行程距离, K=π.R+“安全量”
 Pitch = 20 mm, number of sections per meter = 50, chain length = S / 2 + K,
 S = travel distance, K = π .R + "safe amount"

示意图 Delineation



R	18	28	38*
H	52	72	92
D	45	55	65
K	100	140	180

接头安装尺寸图 Connector installation dimensions



10系列-不可打开 Mini 10 Series – can not be opened

系列号 Serial No.	内高 Hi	内宽 Bi	外高 H	外宽 Ba	弯曲半径(R) Bending radius	打开方式 Open the way	对应接头孔距(mm) Corresponds to the hole pitch	接头订购型号 Connector ordering model
10	10	15	15.5	23	18 28 38*	Q、BF	A=10	10.15.B.1PZ/2PZ
	10	20	15.5	28		Q、BF	A=10 B=5	10.20.B.1PZ/2PZ
	10	30	15.5	38		Q、BF	A=10 B=16	10.30.B.1PZ/2PZ

注：打开方式Q为桥式不可打开型，BF为半封闭不可打开型。

接头型号：10...B.12PZ=U型斜角接头全套；10...B.1PZ=一端带孔；10...B.2PZ=一端带销。

Note: Open mode B is not open type.

Connector type: 10 ... B.12PZ = Complete U-shaped bevel connector; 10 ... B.1PZ = One end with hole; 10 ... B.2PZ = One end with pin.

15系列-半封闭内侧打开

Series 15 - Semi-enclosed open inside

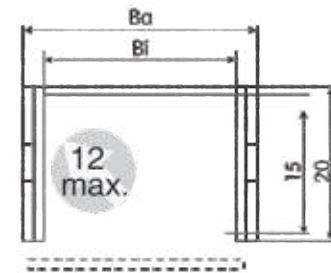
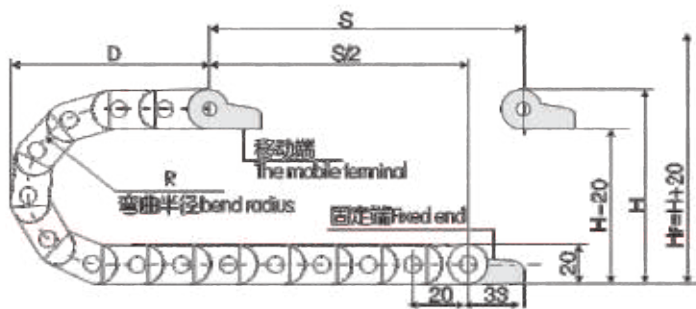
MIMY



主要技术参数 Basic technical data

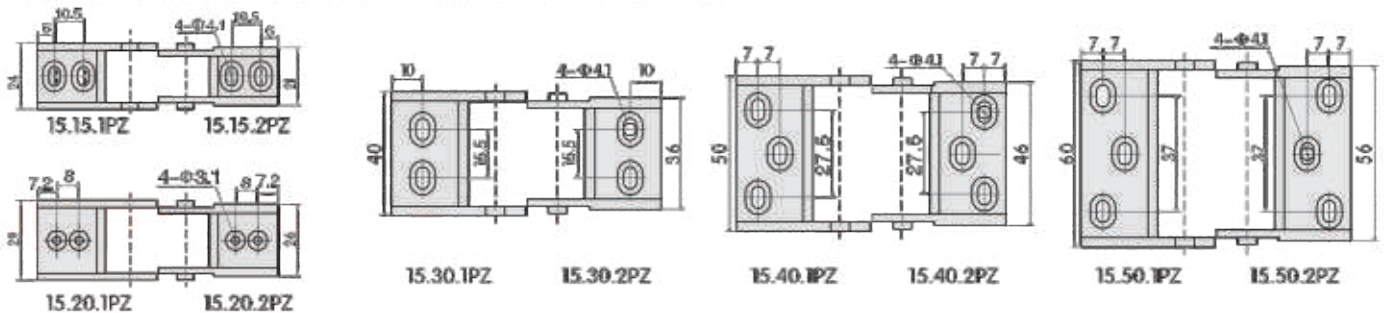
节距=20mm, 每米节数=50, 链长=S/2+K, S=行程距离, K=π.R+“安全距离”
Pitch = 20 mm, number of sections per meter = 50, chain length = S / 2 + K,
S = stroke distance, K = π . R + "safety distance"

示意图 Delineation



R	28	38	48
H	76	96	116
D	60	70	80
K	130	160	190

接头安装尺寸图 Connector installation dimensions



15系列-半封闭内侧打开 Series 15 - Semi-enclosed open inside

系列号 Serial No.	内高 Hi	内宽 Bi	外高 H	外宽 Ba	弯曲半径(R) Bending radius	打开方式 Open the way	对应接头孔距(mm) Corresponds to the hole pitch	接头订购型号 Connector ordering model
15	15	15	20	23	28 38 48	BF.N	A=10.5	15.15.1PZ/2PZ
	15	20	20	28		BF.N	B=8	15.20.1PZ/2PZ
	15	30	20	38		BF.N	B=15.5	15.30.1PZ/2PZ
	15	40	20	48		BF.N	A=7 B=27.5	15.40.1PZ/2PZ
	15	50	20	58		BF.N	A=7 B=37	15.50.1PZ/2PZ

注: 打开方式BF为半封闭型, N为内侧打开型, BF.N为半封闭内侧打开型。

接头型号: 15...12PZ=U型斜角接头全套; 15...1PZ=一端带孔; 15...2PZ=一端带销。

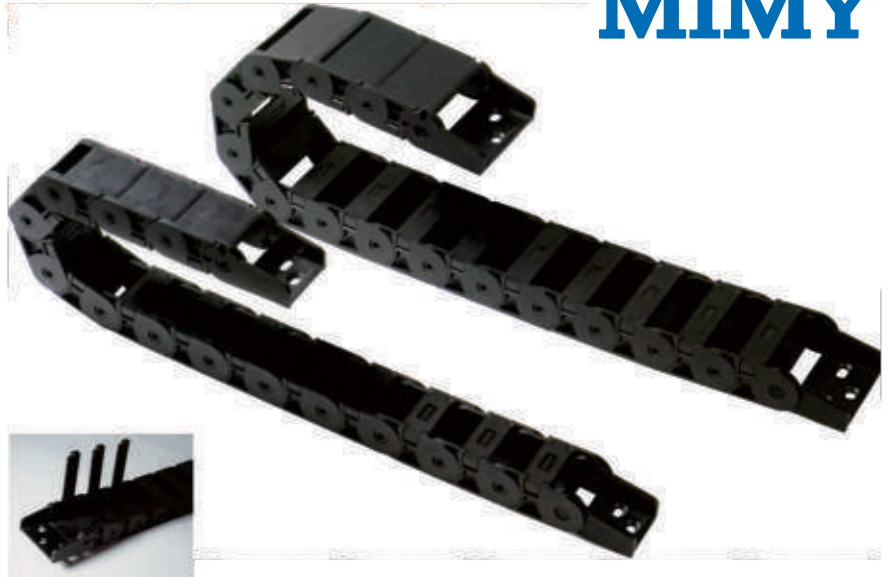
Note: The opening method BF is semi-closed type, N is the inside open type, BF.N is the semi-closed inside open type.

Connector type: 15 ... 12PZ = Complete U-shaped bevel connector; 15 ... 1PZ = One end with hole; 15 ... 2PZ = One end with pin.

18系列-半封闭内侧打开

18 Series - Semi-closed inside open

MIMY



主要技术参数 Basic technical data

节距=34mm, 每米节数=30, 链长=S/2+K, S=行程距离, K=π.R+“安全量”
 Pitch = 34mm, number of sections per meter = 30, chain length = S / 2 + K,
 S = travel distance, K = π .R + "safe amount"

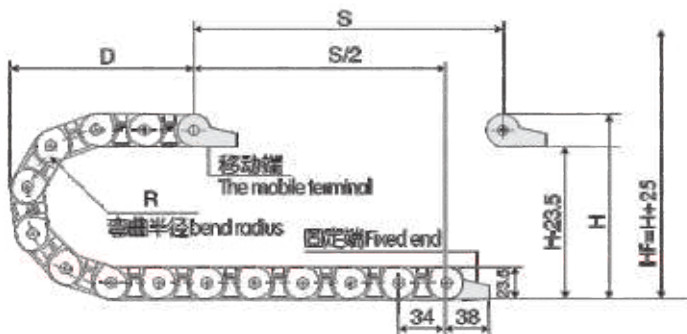
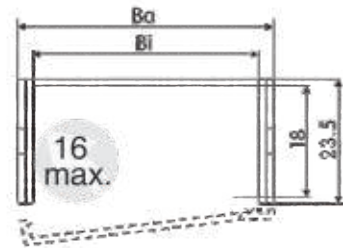
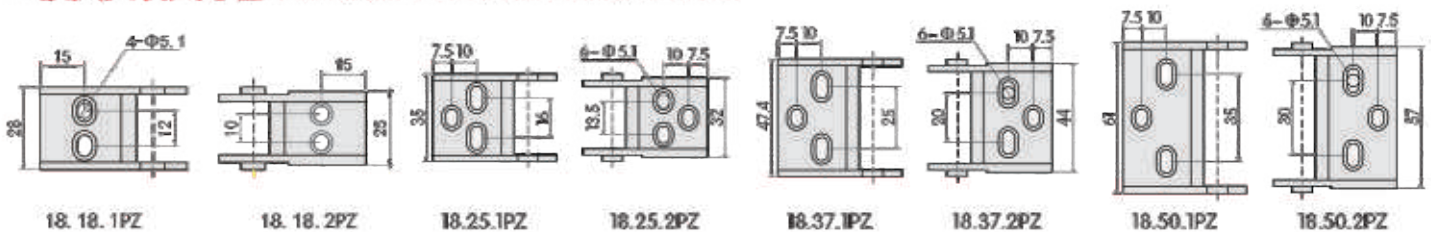


示意图 Delineation



R	28	38	48	60	75	100
H	80	100	120	145	175	225
D	70	80	90	100	120	145
K	150	185	215	250	300	375

接头安装尺寸图 Connector installation dimensions



18系列-半封闭内侧打开 18 Series - Semi-closed inside open

系列号 Serial No.	内高 Hi	内宽 Bi	外高 H	外宽 Ba	弯曲半径(R) Bending radius	打开方式 Open the way	对应接头孔距(mm) Corresponds to the hole pitch	接头订购型号 Connector ordering model
18	18	18	23.5	28	28 38 48	BF.N	B1=10 B2=12	18.18.1PZ/2PZ
	18	25	23.5	35		BF.N	A=10 B1=16 B2=13.5	18.25.1PZ/2PZ
	18	37	23.5	47	60* 75 100*	BF.N	A=10 B1=25 B2=20	18.37.1PZ/2PZ
	18	50	23.5	60		BF.N	A=10 B1=35 B2=30	18.50.1PZ/2PZ

注: 打开方式BF为半封闭型, N为内侧打开型, BF.N为半封闭内侧打开型。

接头型号: 18...12PZ=U型斜角接头全套; 18...1PZ=一端带孔; 18...2PZ=一端带销。

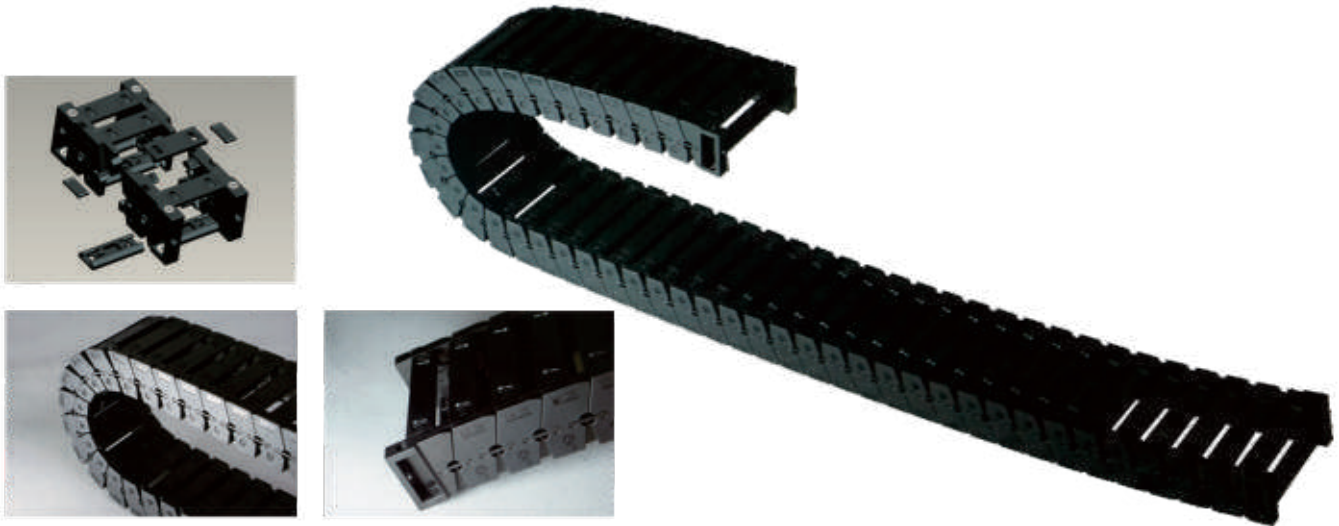
Note: The opening method BF is semi-closed type, N is the inside open type, BF.N is the semi-closed inside open type.

Coupling type: 18 ... 12PZ = Complete set of U-type bevel joints; 18 ... 1PZ = One end with hole; 18 ... 2PZ = One end with pin.

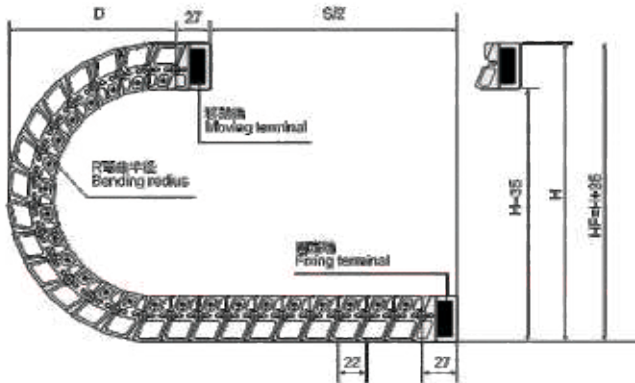
S25系列-静音桥式两侧可打开

S25 Series - Silent bridge can be opened on both sides

MIMY



主要技术参数 Basic technical data



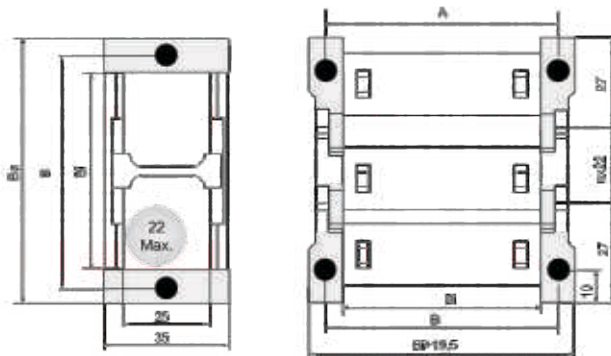
节距=22mm, 每米节数=46, 链长=S/2+K, S=行程距离, K=π·R+“安全量”

Pitch = 22mm, number of meters per meter = 46,

chain length = S / 2 + K, S = travel distance, K = π · R + "safety"

R	55	75	100
H	145	185	235
D	125	150	175
K	276	346	414

接头安装尺寸图 Connector installation dimensions



S25系列-静音桥式两侧可打开 25 series - silent bridge can be opened on both sides

系列号 Serial No.	内高 Hi	内宽 Bi	外高 H	外宽 Ba	弯曲半径R Bending radius	打开方式 Open the way	对应接头孔距(mm) Corresponds to the hole pitch	接头订购型号 Connector ordering model
S25	25	25	35	42	55 75 100	M	B=35	S25Q.25.12PZ
	25	38	35	55		M	B=48	S25Q.38.12PZ
	25	57	35	74		M	B=67	S25Q.57.12PZ
	25	77	35	94		M	B=87	S25Q.77.12PZ
	25	103	35	120		M	B=113	S25Q.103.12PZ

J25系列-桥式两侧可打开

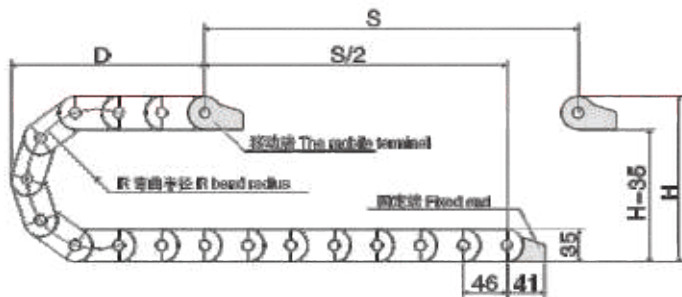
J25 Series - Both sides of the bridge open

MIMY

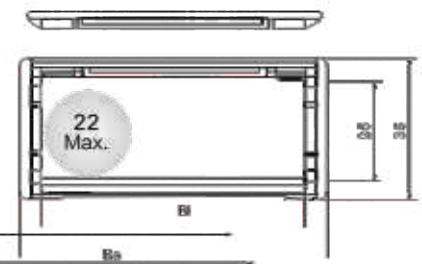


■ 主要技术参数 Basic technical data

R	40	55	75	100	125	150	200
H	115	145	185	235	285	335	335
D	100	105	110	140	155	190	250
K	297	344	407	485	564	642	750

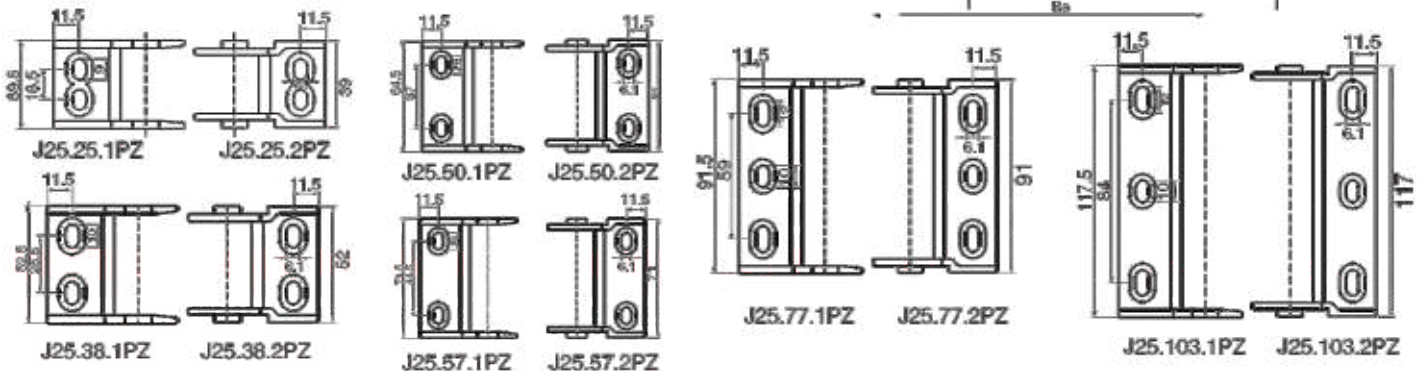


■ 示意图 Delineation



节距 = 46mm, 每米节数 = 22, 链长 = S/2 + K, S = 行程距离, K = π · R + "安全量" + 1 节距
 Pitch = 46 mm, number of sections per meter = 22, chain length = S / 2 + K,
 S = stroke distance, K = π · R + "safe amount" + 1 pitch

■ 接头安装尺寸图 Connector installation dimensions



■ J25系列-桥式两侧可打开 J25 Series - Both sides of the bridge open

系列号 Serial No.	内高 Hi	内宽 Bi	外高 H	外宽 Ba	弯曲半径(R) Bending radius	打开方式 Open the way	对应接头孔距(mm) Corresponds to the hole pitch	接头订购型号 Connector ordering model
J25	25	25	35	39	40 55 75 100 125 150 200	S	B=13.5	J25.25.Q.12PZ
	25	38	35	52		S	B=25.5	J25.38.Q.12PZ
	25	50	35	64		S	B=37	J25.50.Q.12PZ
	25	57	35	71		S	B=44.5	J25.57.Q.12PZ
	25	77	35	91		S	B=59	J25.77.Q.12PZ
	25	103	35	117		S	B=84	J25.103.Q.12PZ

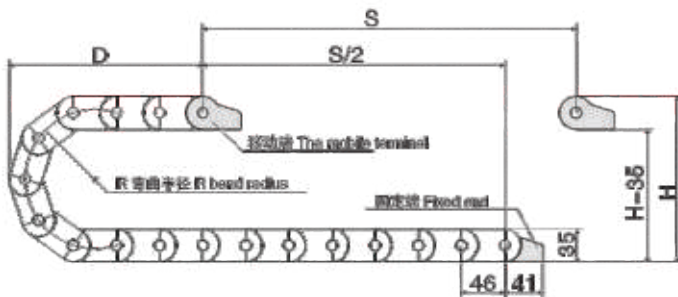
J25系列-封闭两侧可打开

Series H25 - Closed to open on both sides

MIMY

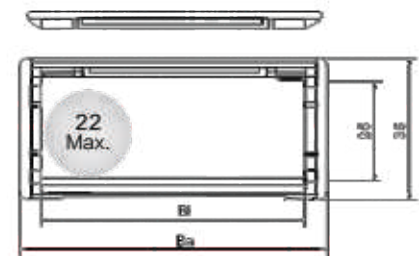


■ 主要技术参数 Basic technical data



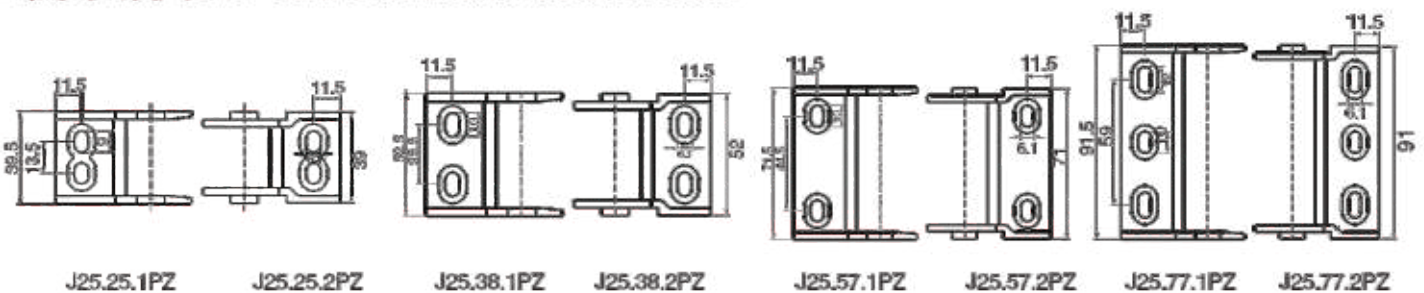
R	55	75	100	125	150	200
H	145	185	235	285	335	335
D	105	110	140	155	190	250
K	344	407	485	564	642	750

■ 示意图 Delineation



节距=46mm, 每米节数=22, 链长=S/2+K, S=行程距离, K=π.R+"安全量"+1节距
 Pitch = 46 mm, number of sections per meter = 22, chain length = S / 2 + K,
 S = stroke distance, K = π .R + "safe amount" + 1 pitch

■ 接头安装尺寸图 Connector installation dimensions



■ J25系列-封闭两侧可打开 Series J25 - Closed to open on both sides

系列号 Serial No.	内高 Hi	内宽 Bi	外高 H	外宽 Ba	弯曲半径(R) Bending radius	打开方式 Open the way	对应接头孔距(mm) Corresponds to the hole pitch	接头订购型号 Connector ordering model
J25	25	25	35	39	55 75 100 125 150 200	S	B=13.5	J25.25.F.12PZ
	25	38	35	52		S	B=25.5	J25.38.F.12PZ
	25	57	35	71		S	B=44.5	J25.57.F.12PZ
	25	77	35	91		S	B=59	J25.77.F.12PZ

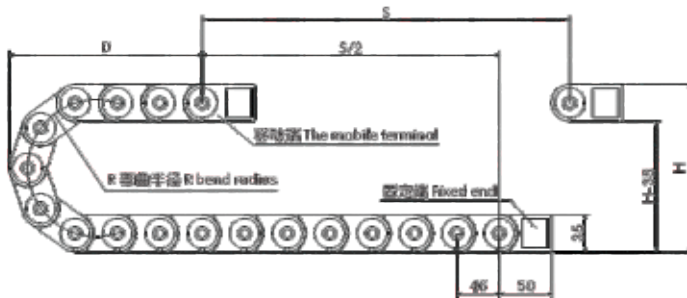
H20系列-桥式两侧可打开

H20 Series - Both sides of the bridge open

MIMY



主要技术参数 Basic technical data

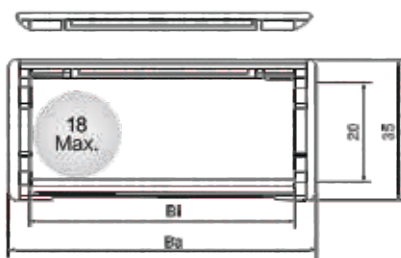


R	55	75	100	125	150
H	145	185	235	285	335
D	100	115	135	150	185
K	328	392	470	550	630

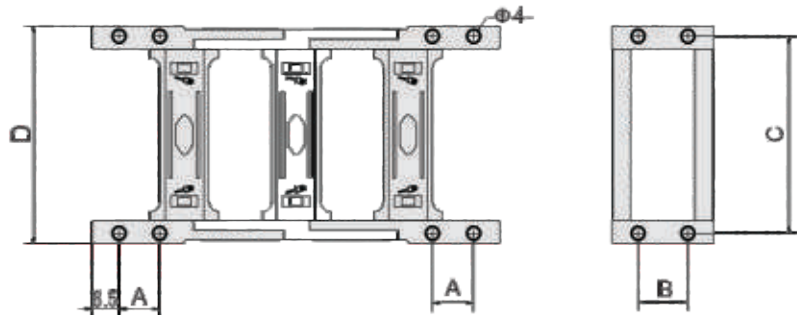
节距=46mm, 每米节数=22, 链长=S/2+K, S=行程距离, K=π.R+“安全量”+1节距

Pitch=46 mm, number of sections per meter = 22, chain length = S / 2 + K, S = stroke distance, K = π . R + "safe amount" + 1 pitch

示意图 Delineation



接头安装尺寸图 Connector installation dimensions



H20系列-桥式两侧可打开 20 Series - Both sides of the bridge open

系列号 Serial No.	内高 Hi	内宽 Bi	外高 H	外宽 Ba	A	B	C	D	孔径(mm) Hole distance	孔边距 (mm) Hole margin
H20	20	25	35	45	15	15	37	46	4	8.5
	20	38	35	58	15	15	50	59	4	8.5
	20	50	35	70	15	15	62	71	4	8.5
	20	57	35	77	15	15	69	81	4	8.5
	20	60	35	80	15	15	72	81	4	8.5
	20	75	35	95	15	15	87	96	4	8.5
	20	77	35	97	15	15	89	98	4	8.5
	20	100	35	120	15	15	112	121	4	8.5
	20	103	35	123	15	15	115	124	4	8.5

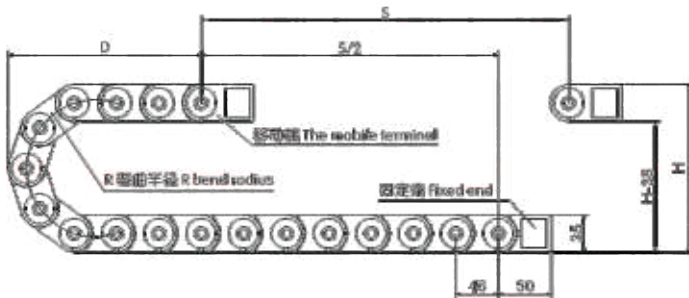
H20系列-封闭两侧可打开

Series H20 - Closed to open on both sides

MIMY



主要技术参数 Basic technical data

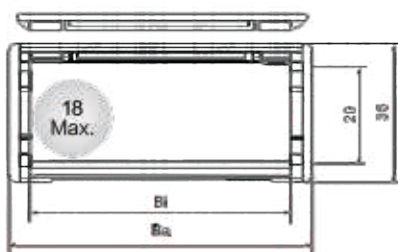


R	55	75	100	125	150
H	145	185	235	285	335
D	100	115	135	150	185
K	328	392	470	550	630

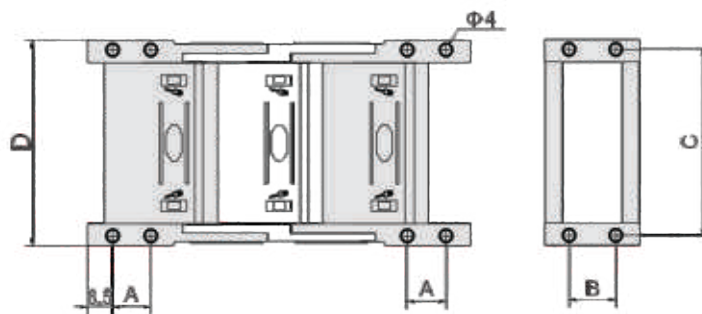
节距 = 46 mm, 每米节数 = 22, 链长 = S/2 + K, S = 行程距离, K = π · R + "安全量" + 1 节距

Pitch = 46 mm, number of sections per meter = 22, chain length = S / 2 + K, S = stroke distance, K = π · R + "safe amount" + 1 pitch

示意图 Delineation



接头安装尺寸图 Connector installation dimensions



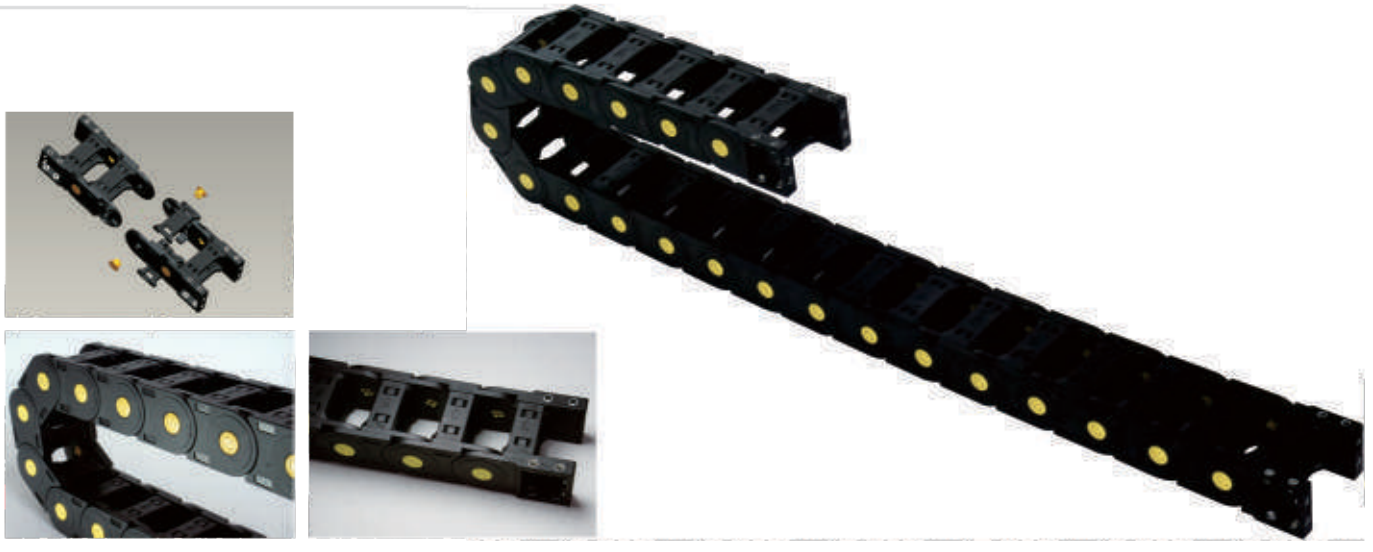
H20系列-封闭两侧可打开 Series 20 - Closed to open on both sides

系列号 Serial No.	内高 Hi	内宽 Bi	外高 H	外宽 Ba	A	B	C	D	孔径(mm) Hole distance	孔边距 (mm) Hole margin
H20	20	38	35	58	15	15	50	59	4	8.5
	20	50	35	70	15	15	62	71	4	8.5
	20	60	35	80	15	15	72	81	4	8.5
	20	75	35	95	15	15	87	96	4	8.5

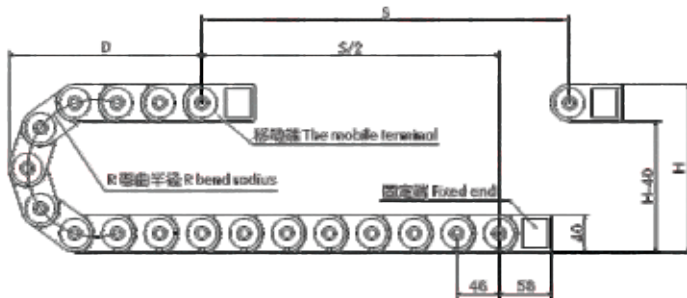
H25系列-桥式两侧可打开

H25 Series – Both sides of the bridge open

MIMY



主要技术参数 Basic technical data

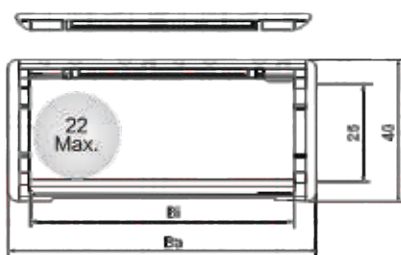


R	55	75	100	125	150
H	150	190	240	290	340
D	105	110	140	155	190
K	344	407	485	564	642

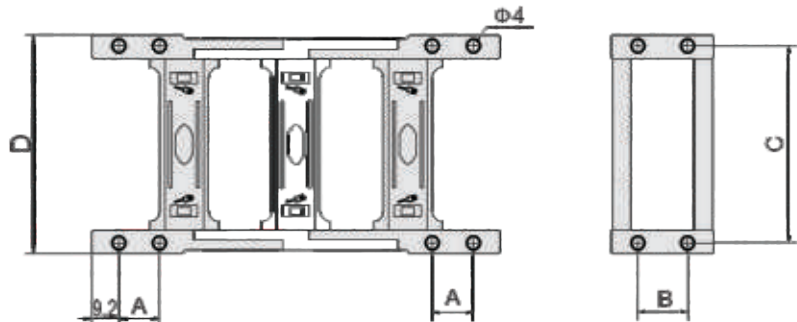
节距 = 46mm, 每米节数 = 22, 链长 = S/2 + K, S = 行程距离, K = π.R + "安全量" + 1节距

Pitch = 46 mm, number of sections per meter = 22, chain length = S / 2 + K, S = stroke distance, K = π .R + "safe amount" + 1 pitch

示意图 Delineation



接头安装尺寸图 Connector installation dimensions



H25系列-桥式两侧可打开 H25 Series – Both sides of the bridge open

系列号 Serial No.	内高 Hi	内宽 Bi	外高 H	外宽 Ba	A	B	C	D	孔径 (mm) Hole distance	孔边距 (mm) Hole margin
H25	25	25	40	45	16	16	37	46	4	9.2
	25	38	40	58	16	16	50	59	4	9.2
	25	50	40	70	16	16	62	71	4	9.2
	25	57	40	77	16	16	69	78	4	9.2
	25	60	40	80	16	16	72	81	4	9.2
	25	75	40	95	16	16	87	96	4	9.2
	25	77	40	97	16	16	89	98	4	9.2
	25	100	40	120	16	16	112	121	4	9.2
	25	103	40	123	16	16	115	124	4	9.2

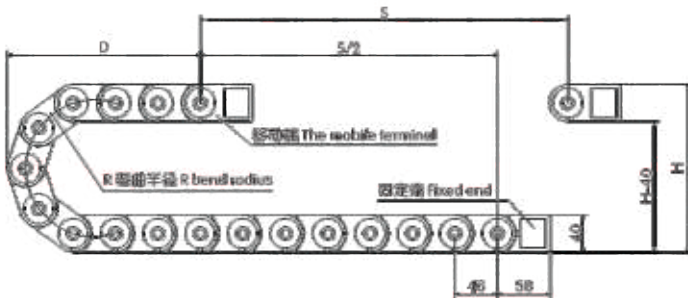
H25系列-封闭两侧可打开

Series H25 - Closed to open on both sides

MIMY



主要技术参数 Basic technical data

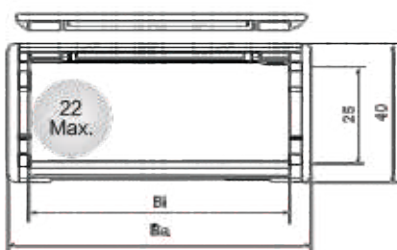


R	55	75	100	125	150
H	150	190	240	290	340
D	105	110	140	155	190
K	344	407	485	564	642

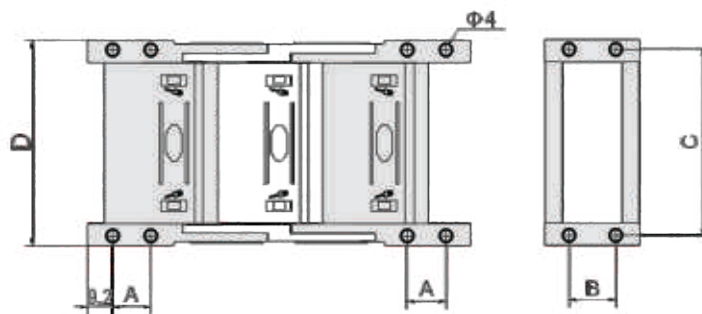
节距 = 46 mm, 每米节数 = 22, 链长 = S/2 + K, S = 行程距离, K = π · R + "安全量" + 1 节距

Pitch = 46 mm, number of sections per meter = 22, chain length = S / 2 + K, S = stroke distance, K = π · R + "safe amount" + 1 pitch

示意图 Delineation



接头安装尺寸图 Connector installation dimensions



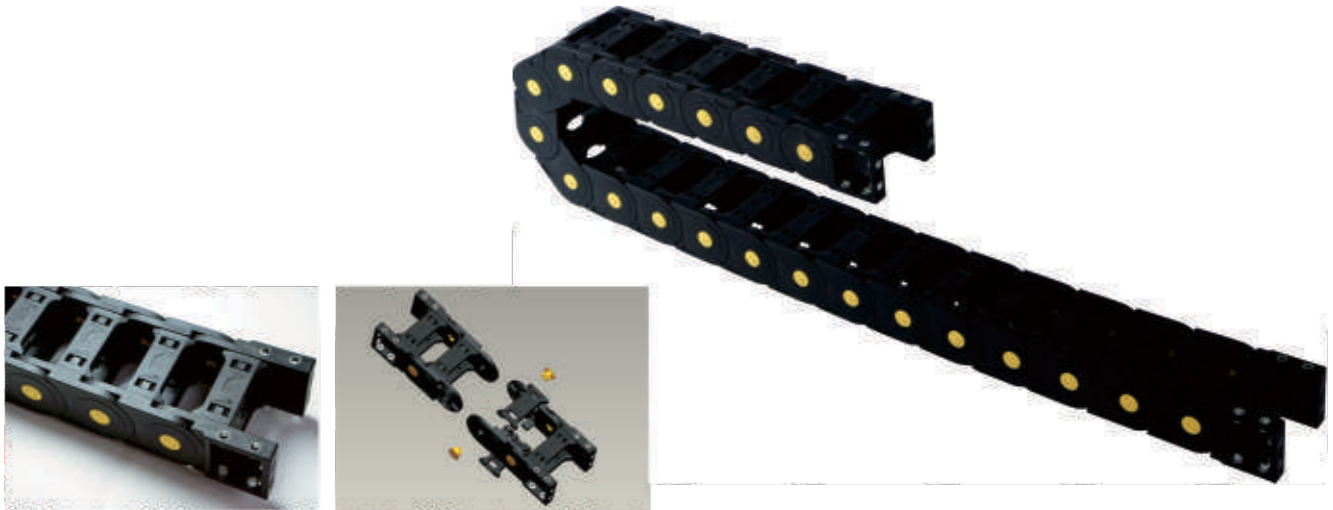
H25系列-封闭两侧可打开 Series 2H5 - Closed to open on both sides

系列号 Serial No.	内高 Hi	内宽 Bi	外高 H	外宽 Ba	A	B	C	D	孔径(mm) Hole distance	孔边距 (mm) Hole margin
H25	25	38	40	58	16	16	50	59	4	9.2
	25	50	40	70	16	16	62	71	4	9.2
	25	60	40	80	16	16	72	81	4	9.2
	25	75	40	95	16	16	87	96	4	9.2

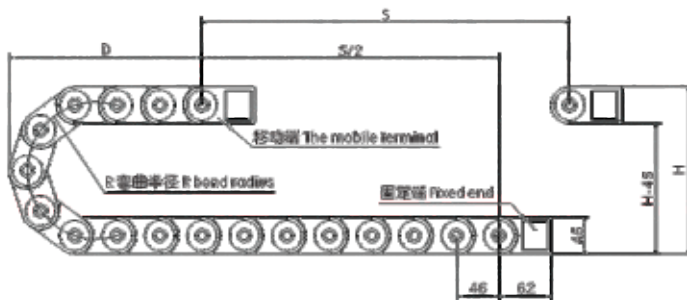
H30系列-桥式两侧可打开

H30 Series – Both sides of the bridge open

MIMY



■ 主要技术参数 Basic technical data

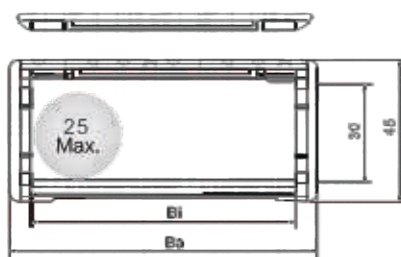


R	55	75	100	125	150
H	155	195	245	295	345
D	100	115	140	160	185
K	360	422	501	579	650

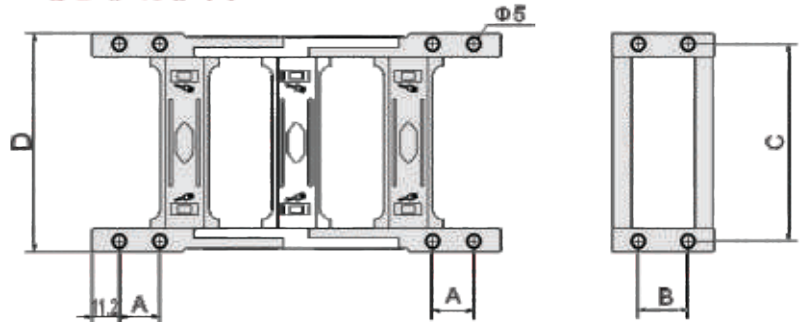
节距 = 46mm, 每米节数 = 22, 链长 = S/2 + K, S = 行程距离, K = π.R + "安全量" + 1节距

Pitch = 46 mm, number of sections per meter = 22, chain length = S / 2 + K, S = stroke distance, K = π . R + "safe amount" + 1 pitch

■ 示意图 Delineation



■ 接头安装尺寸图 Connector installation dimensions



■ H30系列-桥式两侧可打开 H30 Series – Closed to open on both sides

系列号 Serial No.	内高 Hi	内宽 Bi	外高 H	外宽 Ba	A	B	C	D	孔径(mm) Hole distance	孔边距 (mm) Hole margin
H30	30	25	45	48	18	18	39	49	5	11.2
	30	38	45	61	18	18	52	62	5	11.2
	30	50	45	73	18	18	64	74	5	11.2
	30	57	45	80	18	18	71	81	5	11.2
	30	60	45	83	18	18	74	84	5	11.2
	30	75	45	98	18	18	89	99	5	11.2
	30	77	45	100	18	18	91	101	5	11.2
	30	100	45	123	18	18	114	124	5	11.2
	30	103	45	126	18	18	117	127	5	11.2

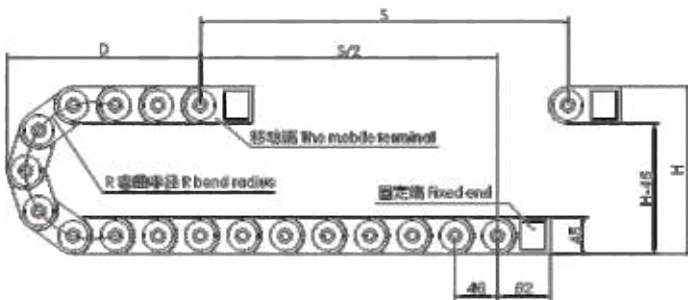
H30系列-封闭两侧可打开

Series H30 - Closed to open on both sides

MIMY



■ 主要技术参数 Basic technical data

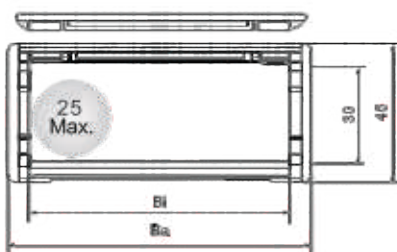


R	75	100	125	150
H	195	245	295	345
D	115	140	160	185
K	422	501	579	650

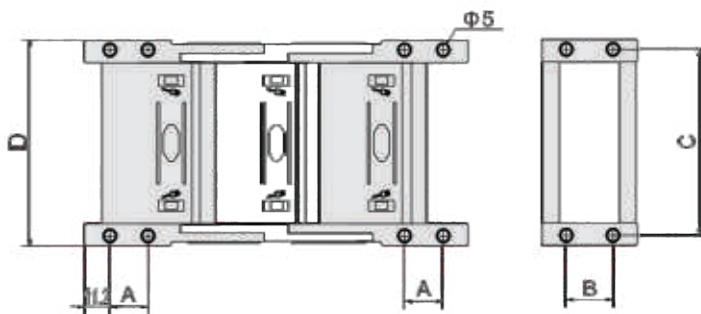
节距 = 46mm, 每米节数 = 22, 链长 = S/2+K, S=行程距离, $K = \pi \cdot R + \text{"安全量"} + 1 \text{ 节距}$

Pitch = 46 mm, number of sections per meter = 22, chain length = S/2 + K, S = stroke distance, $K = \pi \cdot R + \text{"safe amount"} + 1 \text{ pitch}$

■ 示意图 Delineation



■ 接头安装尺寸图 Connector installation dimensions



■ H30系列-封闭两侧可打开 Series H30 - Both sides of the bridge open

系列号 Serial No.	内高 Hi	内宽 Bi	外高 H	外宽 Ba	A	B	C	D	孔径(mm) Hole distance	孔边距 (mm) Hole margin
H30	30	38	45	61	18	18	52	62	5	11.2
	30	50	45	73	18	18	64	74	5	11.2
	30	60	45	83	18	18	74	84	5	11.2
	30	75	45	98	18	18	89	99	5	11.2

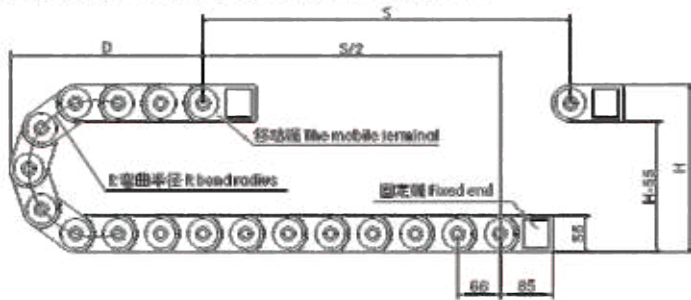
H35系列-桥式两侧可打开

H35 Series - Both sides of the bridge open

MIMY



主要技术参数 Basic technical data

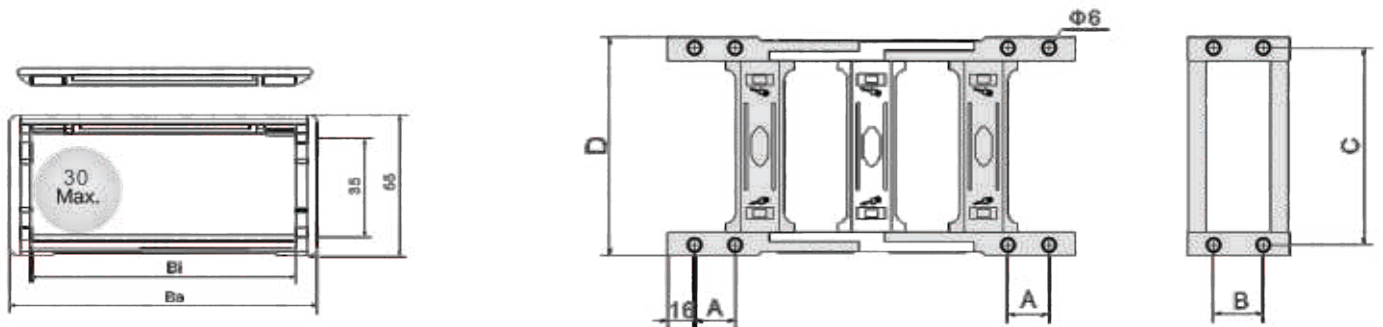


R	75	100	125	150	200
H	205	255	305	355	455
D	130	155	180	205	255
K	474	552	631	709	866

节距 = 66mm, 每米节数 = 15, 链长 = S/2 + K, S = 行程距离, K = π.R + "安全量" + 1节距
 Pitch = 66mm, Number of knots per meter = 15, Chain length = S/2 + K, S = Travel distance, K = π.R + "Safe" + 1 pitch

示意图 Delineation

接头安装尺寸图 Connector installation dimensions



H35系列-桥式两侧可打开 H35 Series - Both sides of the bridge open

系列号 Serial No.	内高 Hi	内宽 Bi	外高 H	外宽 Ba	A	B	C	D	孔径(mm) Hole distance	孔边距 (mm) Hole margin
H35	35	50	55	77	24	24	65	78	6	16
	35	75	55	102	24	24	90	103	6	16
	35	100	55	127	24	24	116	128	6	16
	35	125	55	152	24	24	141	153	6	16
	35	150	55	177	24	24	166	178	6	16
	35	175	55	202	24	24	191	203	6	16
	35	200	55	227	24	24	216	228	6	16

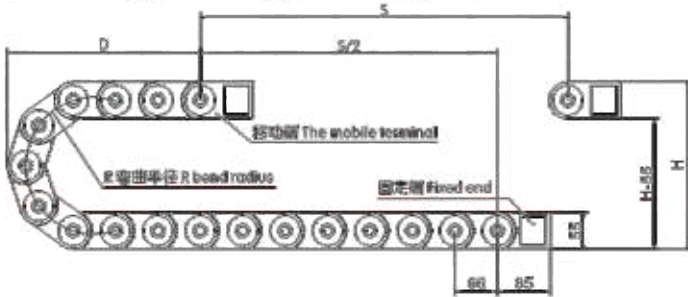
H35系列-封闭两侧可打开

Series H35 - Closed to open on both sides

MIMY



主要技术参数 Basic technical data

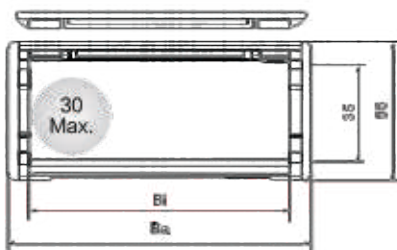


R	75	100	125	150	200
H	205	255	305	355	455
D	130	155	180	205	255
K	474	552	631	709	866

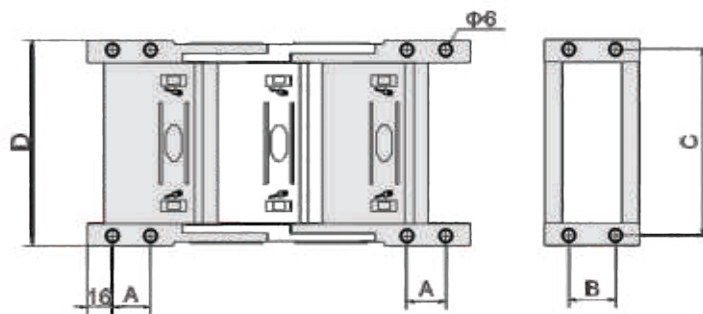
节距 = 66mm, 每米节数 = 15, 链长 = S/2+K, S=行程距离, K=π·R+“安全量”+1节距

Pitch = 66mm, Number of knots per meter = 15, Chain length = S / 2 + K, S = Travel distance, K = π · R + "Safe" + 1 pitch

示意图 Delineation



接头安装尺寸图 Connector installation dimensions



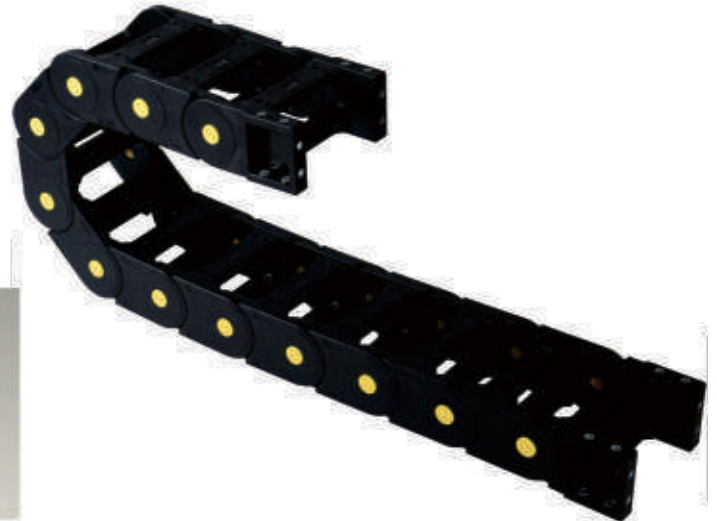
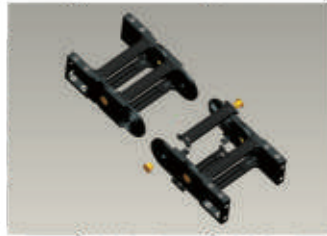
H35系列-封闭两侧可打开 Series H35 - Closed to open on both sides

系列号 Serial No.	内高 Hi	内宽 Bi	外高 H	外宽 Ba	A	B	C	D	孔径(mm) Hole distance	孔边距 (mm) Hole margin
H35	35	50	55	77	24	24	65	78	6	16
	35	75	55	102	24	24	90	103	6	16
	35	100	55	127	24	24	115	128	6	16
	35	125	55	152	24	24	141	153	6	16
	35	150	55	177	24	24	166	178	6	16

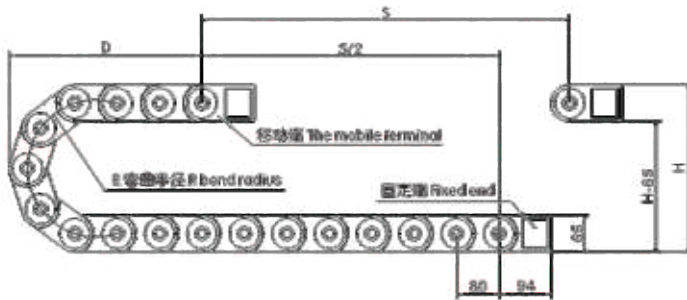
H45系列-桥式两侧可打开

H45 Series - Both sides of the bridge open

MIMY



主要技术参数 Basic technical data

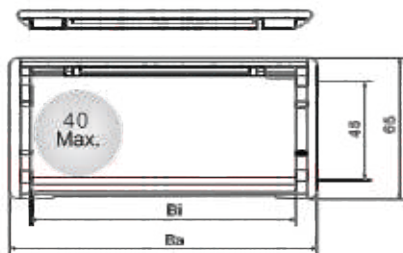


R	75	100	125	150	200	250*
H	215	265	315	365	456	565
D	120	155	190	215	260	310
K	519	598	676	755	912	1069

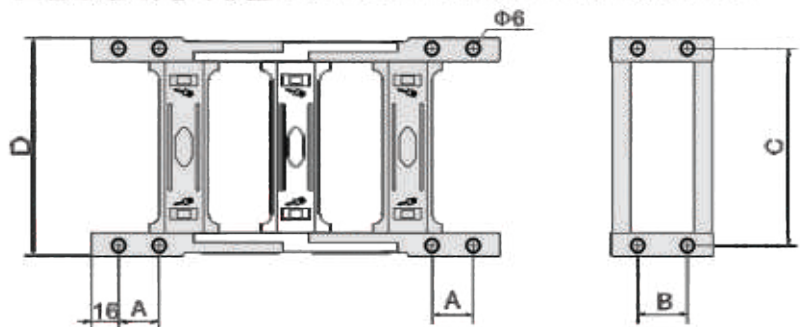
节距 = 80mm, 每米节数 = 13, 链长 = S/2 + K, S = 行程距离, K = π.R + "安全量" + 1节距

Pitch = 80 mm, number of sections per meter = 13, chain length = S / 2 + K, S = travel distance, K = π . R + "safe amount" + 1 pitch

示意图 Delineation



接头安装尺寸图 Connector installation dimensions



H45系列-桥式两侧可打开 H45 Series - Both sides of the bridge open

系列号 Serial No.	内高 Hi	内宽 Bi	外高 H	外宽 Ba	A	B	C	D	孔径(mm) Hole distance	孔边距 (mm) Hole margin
H45	45	50	65	80	24	26	68	84	6	16
	45	75	65	105	24	26	93	109	6	16
	45	100	65	130	24	26	119	134	6	16
	45	125	65	155	24	26	144	159	6	16
	45	150	65	180	24	26	169	184	6	16
	45	175	65	205	24	26	194	209	6	16
	45	200	65	230	24	26	219	234	6	16

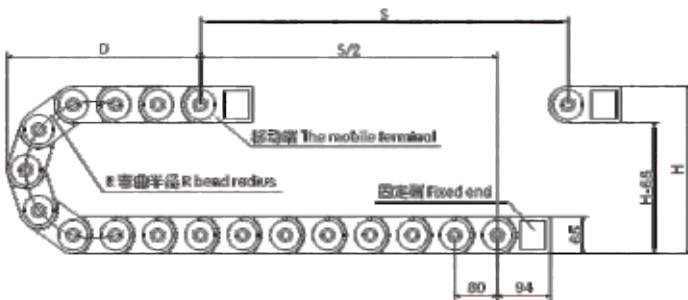
H45系列-封闭两侧可打开

Series H45 - Closed to open on both sides

MIMY



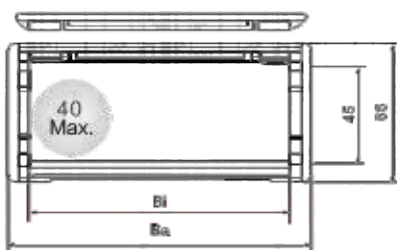
主要技术参数 Basic technical data



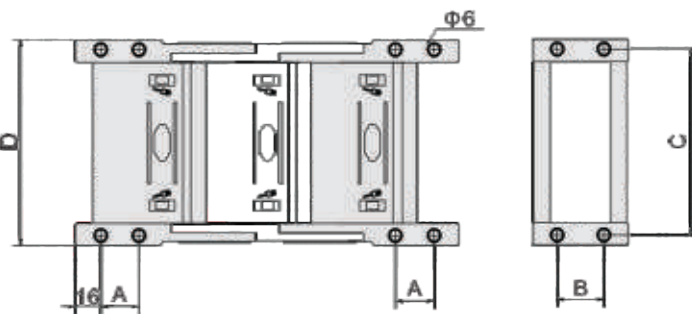
R	100	125	150	200	250*
H	265	315	365	456	565
D	155	190	215	260	310
K	598	676	755	912	1069

节距 = 80mm, 每米节数 = 13, 链长 = S/2+K, S=行程距离, K=π.R+“安全量”+1节距
 Pitch = 80 mm, number of sections per meter = 13, chain length = S/2+K, S = travel distance, K = π .R + "safe amount" +1 pitch

示意图 Delineation



接头安装尺寸图 Connector installation dimensions



H45系列-封闭两侧可打开 Series H45 - Closed to open on both sides

系列号 Serial No.	内高 Hi	内宽 Bi	外高 H	外宽 Ba	A	B	C	D	孔径(mm) Hole distance	孔边距 (mm) Hole margin
H45	45	50	65	80	24	26	68	84	6	16
	45	75	65	105	24	26	93	109	6	16
	45	100	65	130	24	26	118	134	6	16
	45	125	65	155	24	26	144	159	6	16
	45	150	65	180	24	26	169	184	6	16
	45	175	65	205	24	26	194	209	6	16
	45	200	65	230	24	26	219	234	6	16

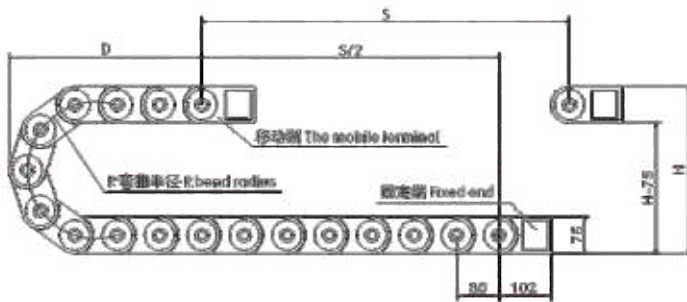
H55系列-桥式两侧可打开

H55 Series - Both sides of the bridge open

MIMY



主要技术参数 Basic technical data

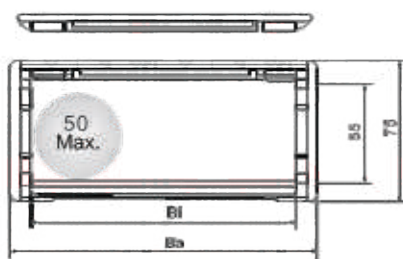


R	75	100	125	150	200	300*
H	225	275	325	375	475	675
D	160	180	195	235	300	400
K	551	629	708	786	943	1257

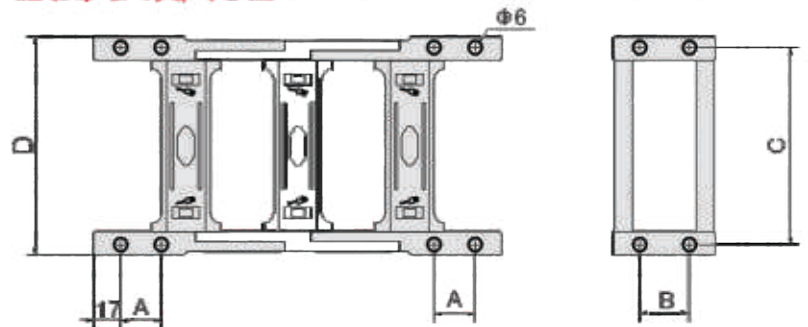
节距 = 80mm, 每米节数 = 13, 链长 = S/2 + K, S = 行程距离, K = π.R + "安全量" + 1节距

Pitch = 80 mm, number of sections per meter = 13, chain length = S / 2 + K, S = travel distance, K = π .R + "safe amount" + 1 pitch

示意图 Delineation



接头安装尺寸图 Connector installation dimensions



H55系列-桥式两侧可打开 Series H55 - Both sides of the bridge open

系列号 Serial No.	内高 Hi	内宽 Bi	外高 H	外宽 Ba	A	B	C	D	孔径(mm) Hole distance	孔边距 (mm) Hole margin
H55	55	50	75	83	30	30	69.5	85	6	17
	55	75	75	108	30	30	94.5	110	6	17
	55	100	75	134	30	30	120.5	136	6	17
	55	125	75	159	30	30	145.5	161	6	17
	55	150	75	184	30	30	170.5	186	6	17
	55	175	75	209	30	30	195.5	211	6	17
	55	200	75	234	30	30	210.5	236	6	17

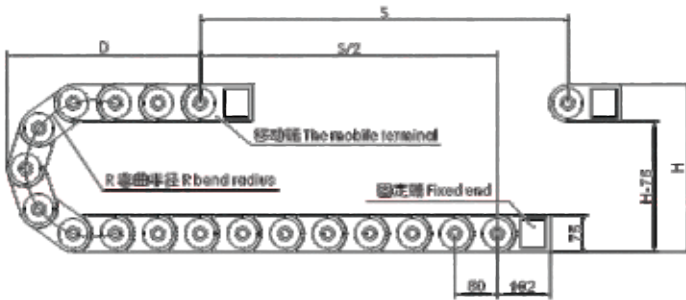
H55系列-封闭两侧可打开

Series H55 - Closed to open on both sides

MIMY



主要技术参数 Basic technical data

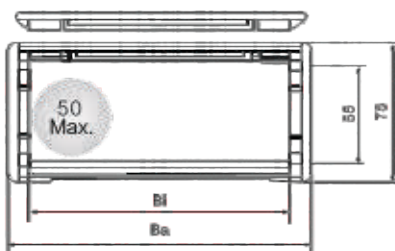


R	100	125	150	200	250*	300*
H	275	325	375	475	575	675
D	180	195	235	300	300	400
K	629	708	786	943	1100	1257

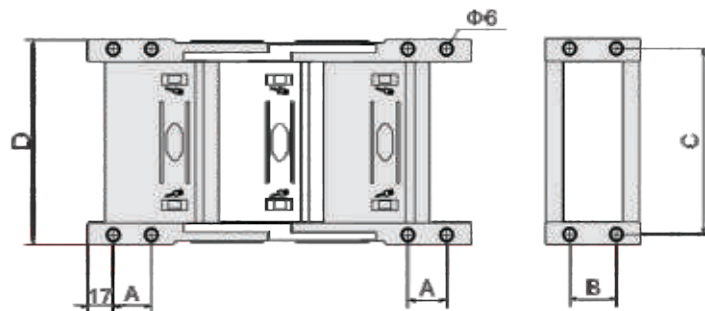
节距 = 80mm, 每米节数 = 13, 链长 = S/2+K, S=行程距离, $K = \pi \cdot R + \text{"安全量"} + 1 \text{节距}$

Pitch = 80 mm, number of sections per meter = 13, chain length = S / 2 + K, S = travel distance, $K = \pi \cdot R + \text{"safe amount"} + 1 \text{ pitch}$

示意图 Delineation



接头安装尺寸图 Connector installation dimensions



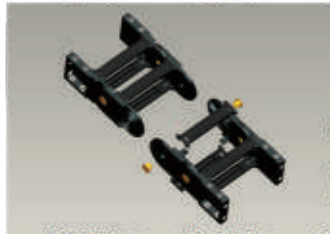
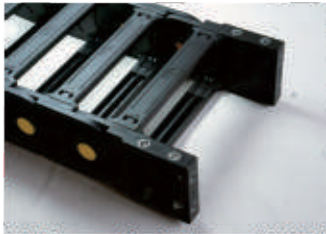
H55系列-封闭两侧可打开 Series H55 - Closed to open on both sides

系列号 Serial No.	内高 Hi	内宽 Bi	外高 H	外宽 Ba	A	B	C	D	孔径(mm) Hole distance	孔边距 (mm) Hole margin
55	55	50	75	83	30	30	69.5	85	6	17
	55	75	75	108	30	30	94.5	110	6	17
	55	100	75	133	30	30	119.5	135	6	17
	55	125	75	159	30	30	145.5	161	6	17
	55	150	75	184	30	30	170.5	186	6	17
	55	175	75	209	30	30	195.5	211	6	17
	55	200	75	234	30	30	220.5	236	6	17

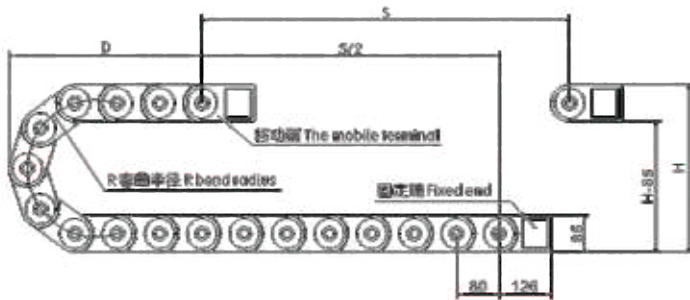
H65系列-桥式两侧可打开

H65 Series - Both sides of the bridge open

MIMY



主要技术参数 Basic technical data

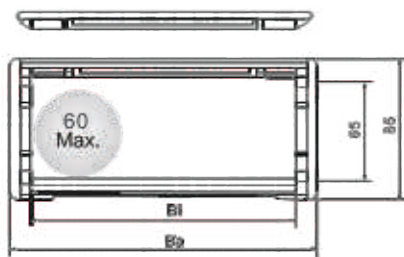


R	125	150	200	250	300
H	335	385	485	585	685
D	200	220	270	325	365
K	739	818	975	1132	1288

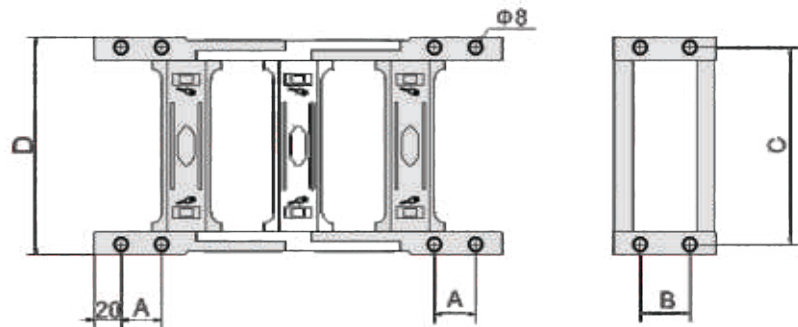
节距 = 80mm, 每米节数 = 13, 链长 = S/2 + K, S = 行程距离, K = π.R + "安全量" + 1节距

Pitch = 80 mm, number of sections per meter = 13, chain length = S / 2 + K, S = travel distance, K = π . R + "safe amount" + 1 pitch

示意图 Delineation



接头安装尺寸图 Connector installation dimensions



H65系列-桥式两侧可打开 H65 Series - Both sides of the bridge open

系列号 Serial No.	内高 Hi	内宽 Bi	外高 H	外宽 Ba	A	B	C	D	孔径(mm) Hole distance	孔边距 (mm) Hole margin
H65	65	50	85	86	35	45	72	92	8	20
	65	75	85	111	35	45	97	117	8	20
	65	100	85	137	35	45	123	143	8	20
	65	125	85	162	35	45	148	168	8	20
	65	150	85	187	35	45	173	193	8	20
	65	175	85	212	35	45	198	218	8	20
	65	200	85	237	35	45	223	243	8	20

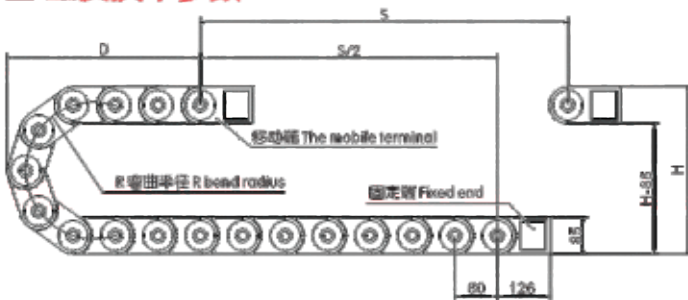
H65系列-封闭两侧可打开

Series H65 - Closed to open on both sides

MIMY



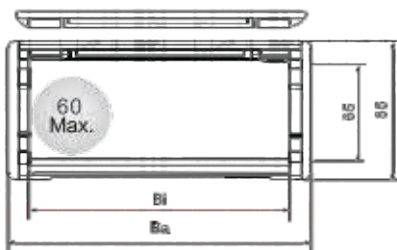
主要技术参数 Basic technical data



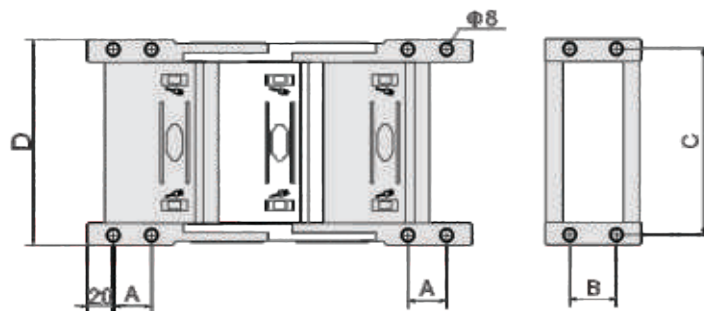
R	125	150	200	250	300
H	335	385	485	585	685
D	200	270	270	325	365
K	739	975	975	1132	1288

节距 = 80mm, 每米节数 = 13, 链长 = S/2+K, S=行程距离, K=π.R+“安全量”+1节距
 Pitch = 80 mm, number of sections per meter = 13, chain length = S / 2 + K, S = travel distance, K = π .R + "safe amount" + 1 pitch

示意图 Delineation



接头安装尺寸图 Connector installation dimensions



H65系列-封闭两侧可打开 Series H65 - Closed to open on both sides

系列号 Serial No.	内高 Hi	内宽 Bi	外高 H	外宽 Ba	A	B	C	D	孔径(mm) Hole distance	孔边距 (mm) Hole margin
H65	65	50	85	86	35	45	72	92	8	20
	65	75	85	111	35	45	97	117	8	20
	65	100	85	136	35	45	122	142	8	20
	65	125	85	162	35	45	148	168	8	20
	65	150	85	187	35	45	173	193	8	20
	65	175	85	212	35	45	198	218	8	20
	65	200	85	237	35	45	223	243	8	20