

GROWING TOGETHER

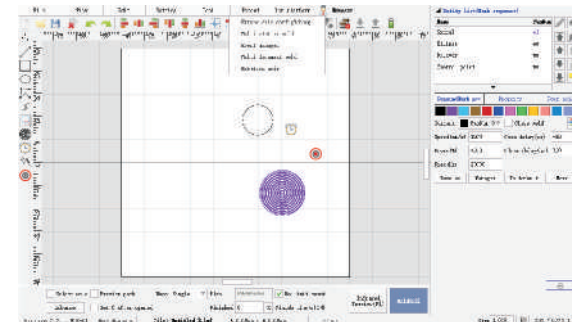
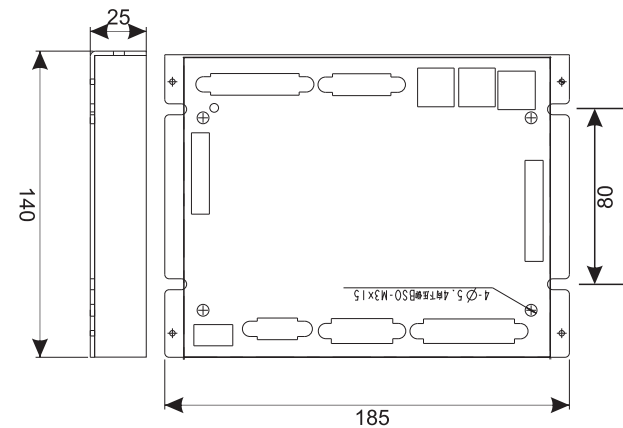
MIMY
Laser Fly Mark Controller



SUPER SONIC HOUSE, Plot No. C-10/5-6, Soma Kanji Estate-2, (SK-2),
Near Sosyo Circle, Opp. Sanidev Temple, Udhna Magdalla Road,
Surat (Gujarat) India - 395007 | www.supersonicgroup.in
For Enquiry Contact : +91 261 2634263, 95128 51510
e-mail : supersonichouse02@hotmail.com

Laser welding card

LYB-A4

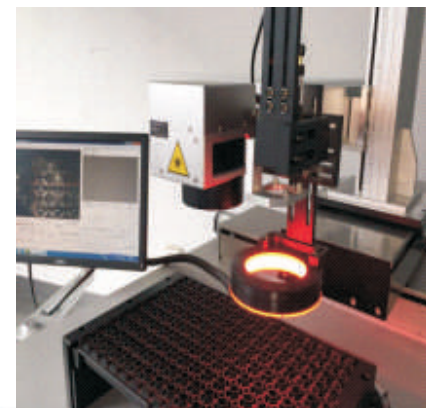


Parameters

- Processor:** Embedded quad-core Cortex-A9, the highest frequency is 1.6GHz
- RAM:** 1GB, DDR3
- Solid state storage FLASH:** 8GB EMMC solid state disk (on-board welding, non-plug)
- USB:** 4
- LAN:** 1
- Serial port:** 2
- Expansion IO:** 15 inputs, 15 outputs
- Analog laser dedicated interface:** 1 (24V output) No need for external conversion optocoupler module

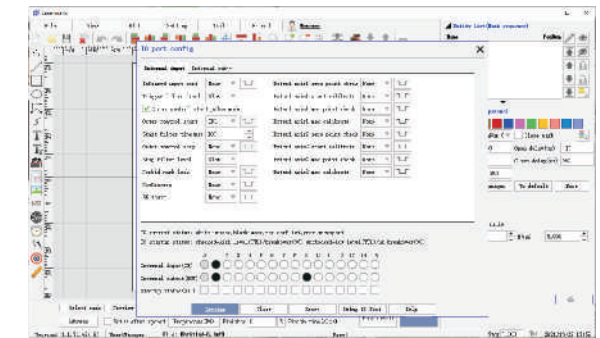
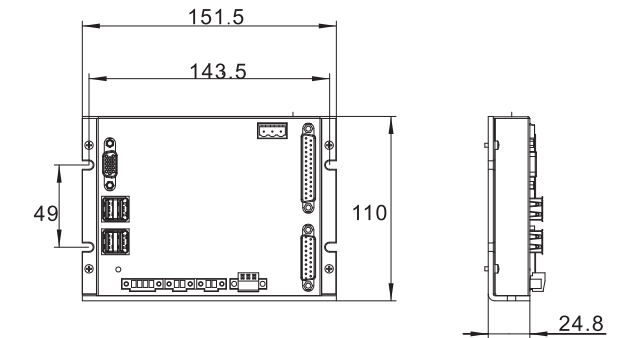
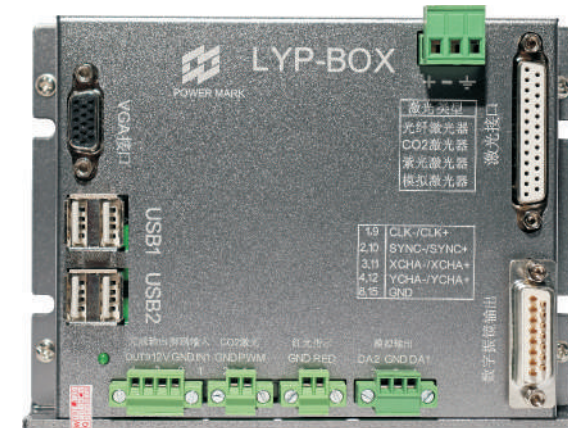
Application &Function

- *Support YAG laser, Fiber laser, CO2 laser, QCW, pulse fiber lamp laser;
- *Support YAG up to 32 groups of waveform selection;
- *Support the slow rise and slow fall function of analog power, and the waveform of pipeline laser can be adjusted;
- *Support four-axis expansion, XY platform synchronous movement welding function, Z-axis up and down, R-axis rotation
- *Support offline welding operation mode;
- *Support multiple input of welding process diagram files such as spiral, sine, triangle waveform, figure 8 waveform, jitter, solder joint time, etc.;
- *Support the function of extracting points, which can convert rectangles, circles, polygons or arbitrary curves converted to a collection of points, the method of picking points supports distance, according to the intersection, according to the number, etc.;
- *Support three-point circle and three-point arc function. The three points can be converted into circular or arc graphics.



Intelligent integrated static laser marking system

LYP-BOX



Parameters

- Processor:** Embedded quad-core Cortex-A9, the highest frequency is 1.6GHz
- RAM:** 1GB, DDR3
- Solid state storage FLASH:** 8GB EMMC solid state disk (on-board welding, non-plug)
- USB:** 4
- LAN:** None
- Serial port:** none
- Expansion IO:** 2 inputs, 3 outputs

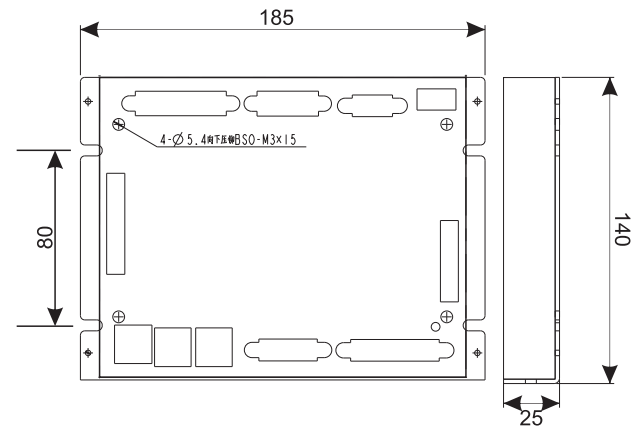
Application &Function

- *Compact laser marking machine, portable laser marking machine, foreign trade equipment, etc.
- *Support marking data saving, viewing, and same number comparison
- *Support WiFi hotspot to connect to mobile phone, you can modify the content online
- *Support installment payment
- *Support multi-language
- *Support TTF, SHX font, dot matrix font, line font, QR code
- *Intelligent event trigger management, which can easily complete various non-standard equipment actions



Intelligent integrated static laser marking system

LYP-VGA-V2

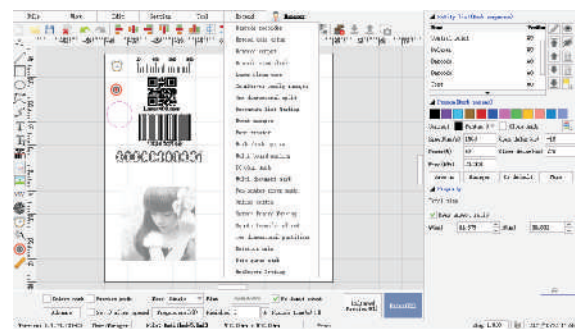
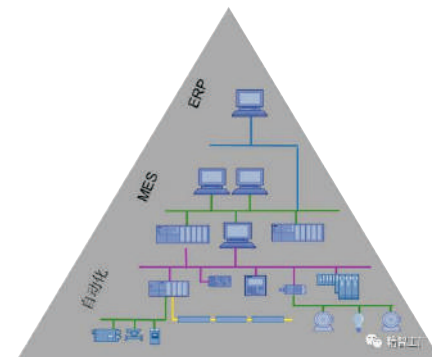


Parameters

- Processor:** Embedded quad-core Cortex-A9, the highest frequency is 1.6GHz
- RAM:** 1GB, DDR3
- Solid state storage FLASH:** 8GB EMMC solid state disk (on-board welding, non-removable)
- USB:** 4
- LAN:** 1
- Serial port:** 2
- Expansion IO:** 15inputs, 15 outputs No need industrial computer

Application &Function

- Electronics industry, hardware industry, auto parts, home appliance industry
- Used in compact laser marking machines, portable laser marking machines, foreign trade equipment, etc.
- *Support marking data saving, viewing, and same number comparison
- *Support WiFi hotspot to connect to mobile phone, you can modify the content online
- *multi-lingual
- *Support TTF, SHX font, dot matrix font, line font, QR code
- *Can be connected to serial barcode machine, PLC, detector
- *It can be connected to the network port LAN to connect to MES, ERP and other systems
- *Intelligent event trigger management, which can easily complete various non-standard equipment actions

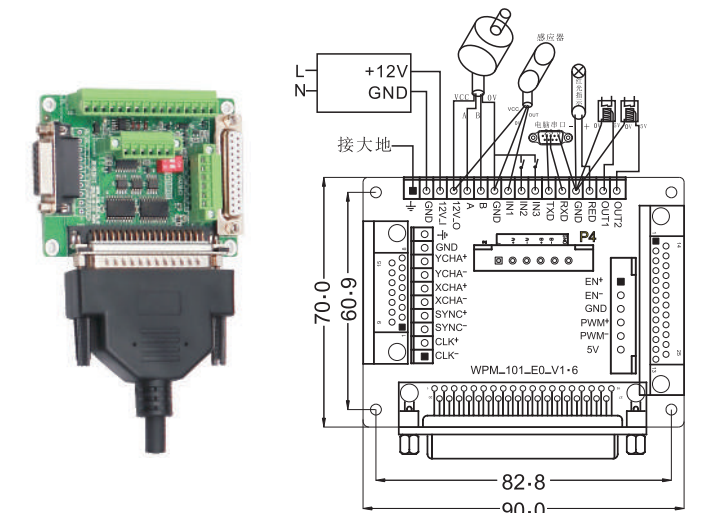
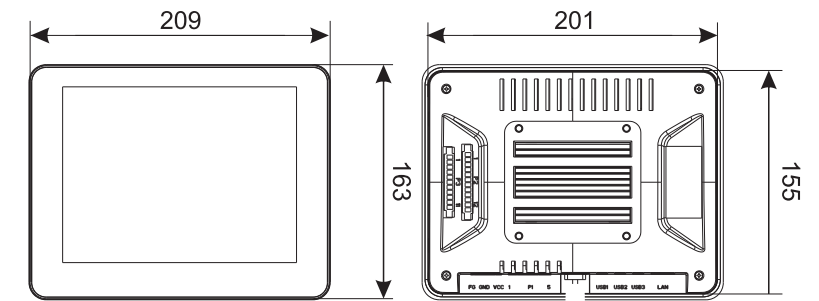


Advantage

- Never crash
- Never hacked
- Never blue screen
- Never lose the drive
- Never lose parameters
- Built-in industrial computer
- Can work continuously for 7*24 hours
- Can be powered off at any time, document will be save

Flying laser marking control system

LYF-08R



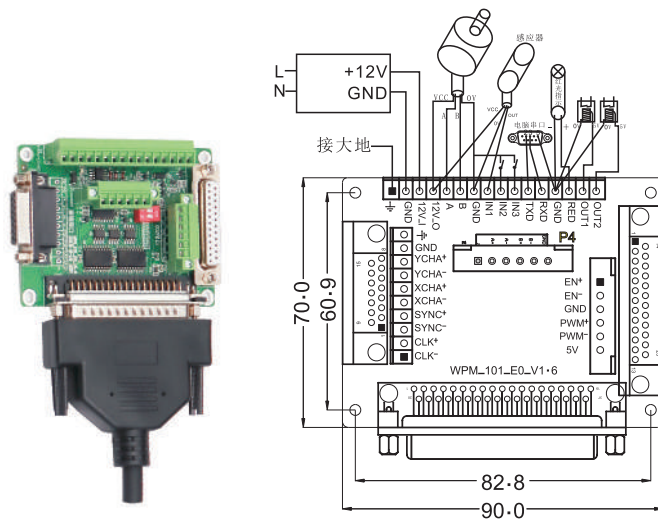
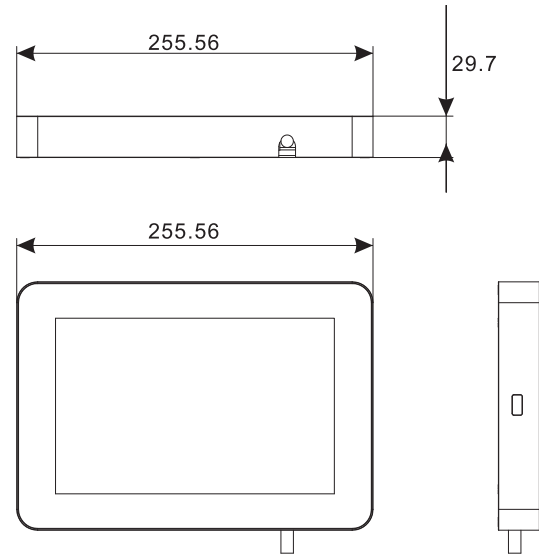
Parameters

- Processor:** Embedded quad-core Cortex-A9, the highest frequency is 1.6GHz
- RAM:** 1GB, DDR3
- Solid state storage FLASH:** 8GB EMMC solid state disk (on-board welding, non-removable)
- Display size:** 8 inches
- Display resolution:** 1024*768
- Touch screen type:** resistive screen/ capacitive screen
- USB:** 3
- LAN:** 1
- Serial port:** 3
- Brightness:** 300cd/m²



Flying laser marking control system

LYF-101R



Parameters

- Processor:** Embedded quad-core Cortex-A9, the highest frequency is 1.6GHz
- RAM:** 1GB, DDR3
- Solid state storage FLASH:** 8GB EMMC solid state disk (on-board welding, non-removable)
- Display size:** 10.1 inches
- Display resolution:** 1280*800
- Touch screen type:** resistive screen/capacitive screen
- Brightness:** 352cd/m²

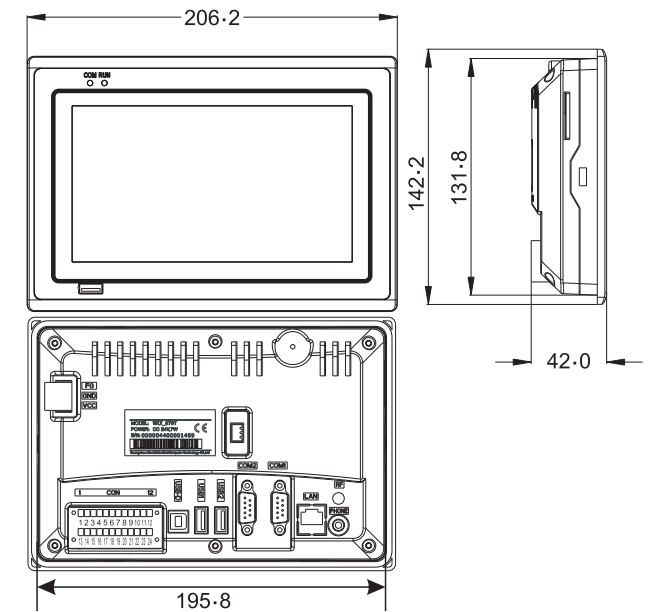
Application & Function

- Standard flight**
Food packaging, tobacco and alcohol, beverages, home appliances, medicine and other industries
Assembly line marking/date/serial number/QR code
Fill in the QR code 10mm up to 600 pcs/min
- Long text flight**
Super long text marking on pipes, cables, etc.
Unlimited text length, accurate meter counting, long cutting pipe signal output can be set



Pneumatic marking machine software

LYK32-070

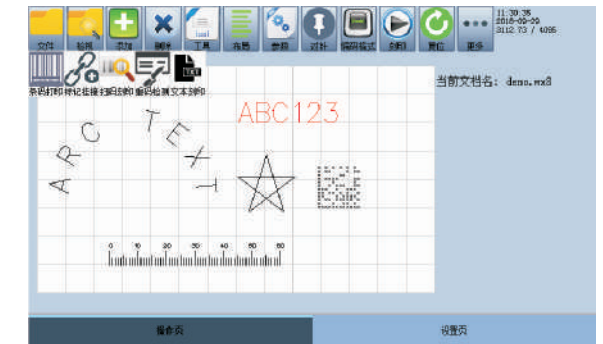


Parameters

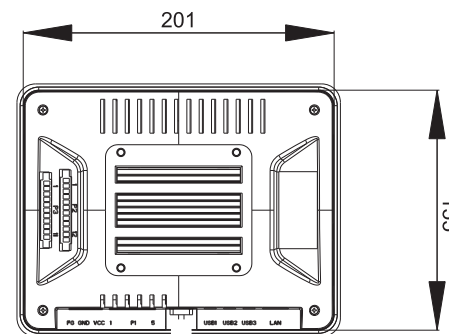
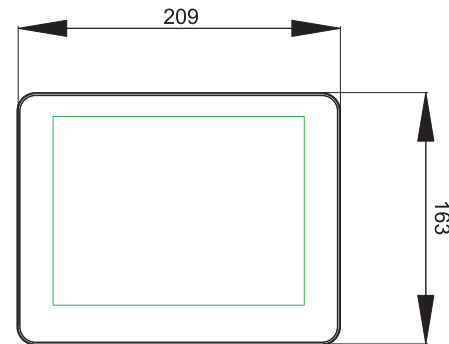
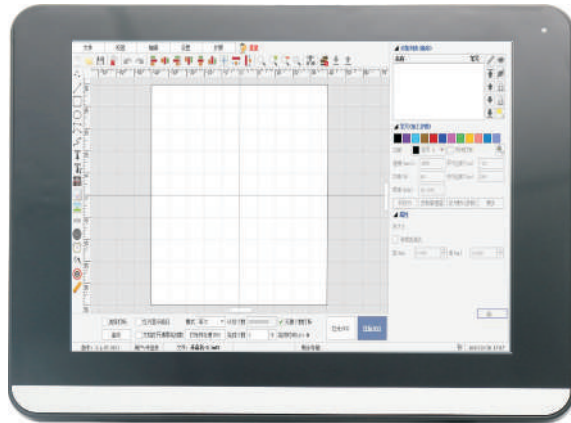
- Processor:** 300MHZ
- RAM:** 64M
- Solid state storage FLASH:** 256M
- Display Size:** 7 inches
- Display Reslution:** 800*480
- USB:** 3
- Shell:** Industrial plastic enclosure
- Panel size:** 206.00*142.00mm
- Cabinet opening size:** 196.00*132.00mm

Application & Function

- Used in assembly line marking machine
- *Touch screen operation, large buttons, simpler and more beautiful than TX6
- *Support customer custom boot animation modification
- *Chinese and English language
- *Font management, customers can add or delete fonts, support SHX fonts, bitmap fonts, line segment fonts
- *Rotary marking, Z-axis verbatim marking
- *IO control multi-document marking
- *Picture management, support PLT picture import and marking
- *Data record
- * Same code detection
- *Firmware upgrade
- *QR code
- *7x24 hours continuous work
- *High configuration supports serial communication to modify the content



LYK8-08R



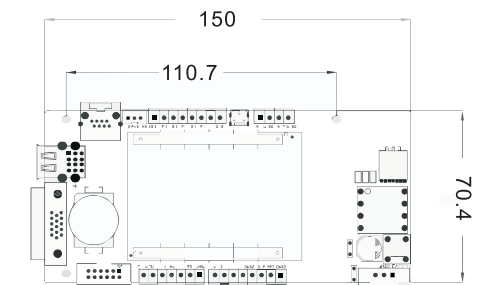
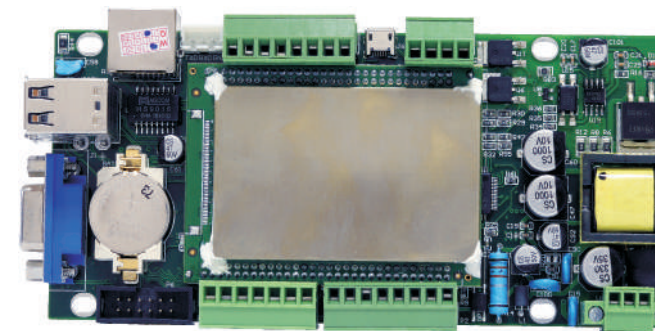
Parameters

- Processor:** Embedded quad-core Cortex-A9, the highest frequency is 1.6 Ghz
- RAM:** 1GB, DDR3
- Solid state storage FLASH:** 8GB EMMC solid state disk (on-board welding, non-removable)
- Display size:** 8 inches
- Display resolution:** 1024*768
- Touch screen type:** resistive screen
- USB:** 4
- LAN:** 1
- Serial port:** 2
- Drive interface:** X.Y.Z three-axis pulse control
- Expansion IO:** 8 inputs、 8outputs

Application &Function

- Used in cabinet type marking machine, hand-held marking machine, assembly line marking machine
- *Support marking data saving, viewing, and same number comparison
- *Support WiFi hotspot to connect to mobile phone, you can modify the content online
- *Support installment payment
- *Support multi-language
- *Support TTF, SHX font, dot matrix font, line font, QR code
- *Can be connected to serial barcode machine, PLC, detector
- *It can be connected to the network port LAN to connect to MES, ERP and other systems
- *Intelligent event trigger management, which can easily complete various non-standard equipment actions

LYK8-VGA



Parameters

- Processor:** Embedded ARM, quad-core 1.6 Ghz
- RAM:** 1GB, DDR3
- Solid state storage FLASH:** 8GB EMMC solid state disk (on-board welding, non-removable)
- USB:** 3
- LAN:** 1
- Serial port:** 2
- Drive interface:** X.Y.Z three-axis pulse control
- Expansion IO:** 2 inputs、 3outputs

Application &Function

- Used in cabinet type marking machine, hand-held marking machine, assembly line marking machine
- *Support marking data saving, viewing, and same number comparison
- *Support WiFi hotspot to connect to mobile phone, you can modify the content online
- *Support installment payment
- *Support multi-language
- *Support TTF, SHX font, dot matrix font, line font, QR code
- *Can be connected to serial barcode machine, PLC, detector
- *It can be connected to the network port LAN to connect to MES, ERP and other systems
- *Intelligent event trigger management, which can easily complete various non-standard equipment actions

